

ECdrive H

EN Pre-installation instructions

190486-01



Contents

1	Introduction.....	3
1.1	Symbols and illustrations	3
1.2	Revisions and validity.....	3
1.3	Product liability	3
1.4	Reference documents.....	3
2	Fundamental safety notes.....	4
2.1	Intended use.....	4
2.2	Safety notes	4
2.3	Safety-conscious working	5
2.4	Environmentally conscious working.....	5
2.5	Safety notes related to transportation and storage.....	5
2.6	Qualification	5
3	About this document.....	6
4	Overview.....	6
4.1	Diagrams.....	6
4.2	Tools and aids.....	6
4.3	Torques	6
4.4	Components and assembly groups.....	7
4.5	Bill of material VP-Kit ECdrive H	7
5	Pre-mounting.....	8
5.1	Machining the track and cover	8
5.2	Preparing the track	8
5.3	Installing stop buffers	9
5.4	Installing the drive components.....	9
5.5	Installing cable guides.....	10
5.6	Connecting motor gear unit and control unit	10
5.7	Connecting transformer and control unit.....	11
5.8	Fitting the transformer ground.....	12
5.9	Fitting the cover earthing.....	13
5.10	Connecting the rechargeable battery and control unit	14
6	Device safety test and production test.....	15
6.1	Unplugging the cables	15




1 Introduction

1.1 Symbols and illustrations

Warning notices



In these instructions, warning notices are used to warn against material damage and injuries.

- ▶ Always read and observe these warning notices.
- ▶ Observe all measures marked with the warning symbol and warning word .

Warning symbol	Warning word	Meaning
	DANGER	Danger to persons. Non-compliance will result in death or serious injuries.
	WARNING	Danger to persons. Non-compliance can result in death or serious injuries.
	CAUTION	Danger to persons. Non-compliance can result in minor injuries.

Further symbols and illustrations

Important information and technical notes are highlighted to explain correct operation.

Symbol	Meaning
	means "important note". Information to prevent property damage, to understand or optimise the operation sequences.
	means "additional Information"
▶	Symbol for an action: This means you have to do something. ▶ If there are several actions to be taken, keep to the given order.

1.2 Revisions and validity

Version 01: valid for ECdrive H from date of manufacture 2021.

1.3 Product liability

In compliance with the liability of the manufacturer for his products as defined in the German "Product Liability Act", compliance with the information contained in this brochure (product information and intended use, misuse, product performance, product maintenance, obligations to provide information and instructions) must be ensured. Failure to comply releases the manufacturer from his statutory liability.

1.4 Reference documents

Type	Name
Wiring diagram	Automatic sliding doors DCU1-NT/DCU1-2M-NT
Additional wiring diagrams	DCU1-NT-OP
Installation instructions	ECdrive H

These documents are subject to change. Use only the most recent version.

2 Fundamental safety notes



GEZE GmbH is referred to as GEZE below.

2.1 Intended use

The sliding door system is used for the automatic opening and closing of a building passage.

The sliding door system may only be used in a vertical installation position and in dry rooms within the permitted application area.

The sliding door system is designed for pedestrian traffic in buildings.

The sliding door system is not designed for the following uses:

- for industrial use
- for area of application which do not serve pedestrian traffic (such as garage doors)
- on mobile objects such as ships

The sliding door system may only be used:

- in the modes of operation provided for by GEZE
- with the components approved/released by GEZE
- with the software delivered by GEZE
- in the installation variants / types of installation documented by GEZE
- within the tested/approved area of application (climate / temperature / IP rating)

Any other use is considered non-intended and will lead to the exclusion of all liability and warranty claims to GEZE.

2.2 Safety notes

- Intervention and modifications which influence the safety technology and functionality of the sliding door system may only be carried out by GEZE.
- Problem-free and safe operation assumes proper transportation, proper set-up and installation, qualified operation and correct maintenance have taken place.
- The relevant accident prevention regulations and other generally recognised safety technology or health & safety rules must be kept.
- Only original accessories, original spare parts and accessories approved by GEZE guarantee problem-free function of the sliding door system
- The mandatory installation, maintenance and repair work must be performed by properly trained personnel authorised by GEZE.
- The country-specific laws and regulations are to be observed during safety-related tests.
- If unauthorised changes are made to the system, GEZE cannot be held liable in any way whatsoever for any resulting damage, and the statement of approval for use in escape and rescue routes is no longer valid.
- GEZE does not accept any warranty for combinations with third-party products.
- Only original GEZE parts may be used for repair and maintenance work.
- The connection to the mains voltage must be completed by an electrician or specialised electrical technician. Perform the power connection and protective earth connection test in accordance with VDE 0100 Part 600.
- Use an on-site 10-A overload cut-out as the line-side disconnecting device.
- Protect the display programme switch against unauthorised access.
- In compliance with Machinery Directive 2006/42/EC, a risk analysis must be performed and the door system identified in accordance with CE Marking Directive 93/68/EEC before the door system is commissioned.
- Observe the latest versions of guidelines, standards and country-specific regulations, in particular:
 - DIN 18650: "Building hardware – Powered automatic doors"
 - VDE 0100, Part 600: "Installation of low-voltage systems"
 - EN 16005: "Power-operated pedestrian doorsets – Safety in use– Requirements and test methods"
 - EN 60335-1: "Household and similar electrical appliances - Safety Part 1: General requirements"
 - EN 60335-2-103: "Household and similar electrical appliances - Safety: Special requirements for drives for gates, doors and windows"
- Do not loosen screw-fitted electrical ground connections.



The product should be installed or incorporated in such a way that effortless access to the product is guaranteed during any repairs and/or maintenance, and that any removal costs do not stand out of proportion to the value of the product.

2.3 Safety-conscious working

- Secure workplace against unauthorised entry.
- Use only the cables specified on the cable plan provided. Cables must be shielded in compliance with the wiring diagram.
- Secure loose, internal drive cables with cable ties.
- Before working on the electrical system:
 - Disconnect the drive from the 230 V mains and secure it against being switched back on again. Check isolation from power supply.
 - Disconnect the control unit from the 24 V rechargeable battery.
- Note that if an Uninterruptible Power Supply (UPS) is used, the system will still be supplied with voltage despite the fact that the power supply is disconnected.
- Always use insulated wire-end ferrules for wire cores.
- Make sure of sufficient lighting.
- Risk of injury with opened drive. Hair, clothing, cables, etc. can be drawn in by rotating parts.
- Risk of injury caused by unsecured crushing, impact, drawing-in or shearing spots.
- Risk of injury due to sharp edges on the drive and door leaf.
- Risk of injury during installation through freely moving parts.

2.4 Environmentally conscious working

- When disposing of the door system, separate the different materials and have them recycled.
- Do not dispose of batteries and rechargeable batteries with household waste.
- Comply with the statutory regulations when disposing of the door system and the batteries/rechargeable batteries.

2.5 Safety notes related to transportation and storage

- ▶ Do not throw, do not drop.
- ▶ Avoid heavy impacts.
- Storage temperatures under -30 °C and above $+60\text{ °C}$ can result in damage to the device.
- Protect against humidity.
- Dry, well ventilated, closed, weather-proof and UV-protected rooms are suitable as storage areas.

2.6 Qualification

Observe country-specific regulations!

Applicable in Germany:

Companies that carry out the pre-assembly of sliding door drives for escape routes must be licensed as an expanded manufacturing facility by the testing institution that issued the type approval certificate.

3 About this document

These instructions describe the pre-installation of the ECdrive H automatic sliding door drive.

4 Overview

4.1 Diagrams

Drawing no.	Type	Name
70517-0-001	Drive drawing	Drive ECdrive H
70517-2-0201	Component drawing	Track, bespoke, for ECdrive H
70517-2-0224	Component drawing	Cover PL 200×40, bespoke, for ECdrive H
70517-2-0223	Component drawing	Side plate, right/left for ECdrive H
70517-2-0229	Component drawing	Leaf spring for cover ECdrive H



The diagrams are subject to change without notice. Use only the most recent version.

4.2 Tools and aids

Tool	Closer size
Tape measure	
Marking pen	
Torque spanner	
Allen key	2 mm, 2.5 mm, 3 mm, 4 mm, 5 mm, 6 mm
double open-ended spanner	8 mm, 10 mm, 13 mm, 15 mm
Screwdriver set	Floor guide slit up to 6 mm; cross-slot PH2 and PH4
Torx bit	Tx 20
Side-cutting pliers	
Crimping pliers for cables	
Wire stripper	
Multimeter	
Ring spanner	8 mm, 10 mm
Pin punch	4 mm
Display programme switch/Service terminal ST220/GEZEconnects	

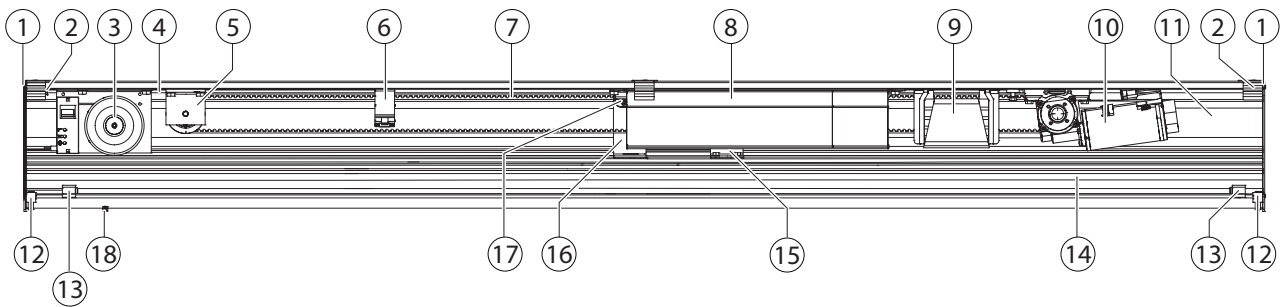
4.3 Torques

The torques are given at the respective installation step.

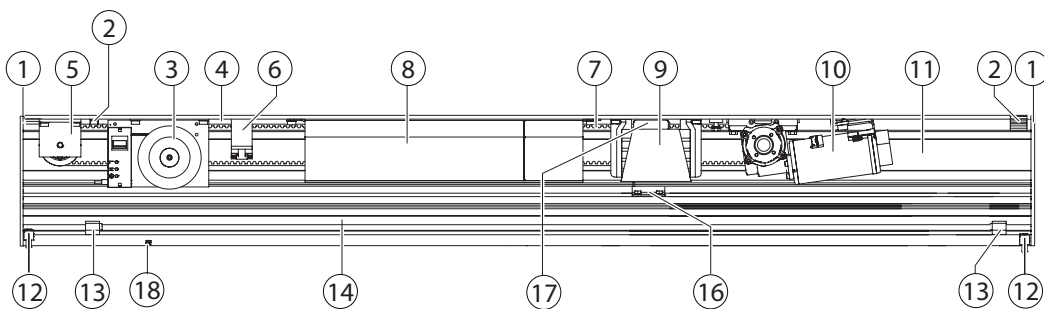
4.4 Components and assembly groups

These illustrations show the equipment of a standard drive in 2-leaf and 1-leaf version. The structure of the assembly groups can vary depending on the drive equipment or version. Precise details about positioning of the individual components are provided on the drive drawing.

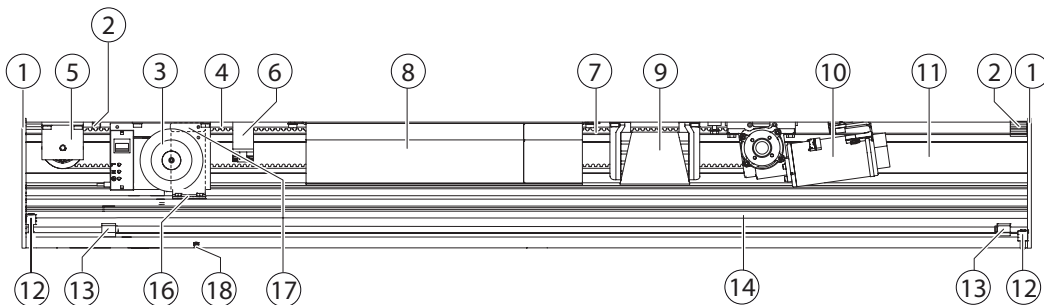
2-leaf



1-leaf, right hand slide to open



1-leaf, left hand slide to open



4.5 Bill of material VP-Kit ECdrive H

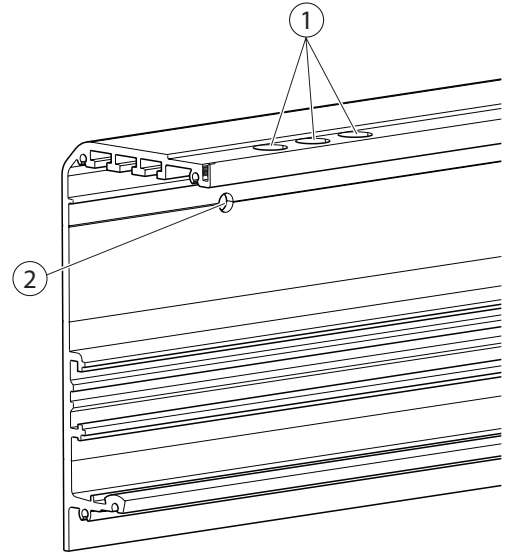
- | | | | | | |
|---|----------------------|----|-----------------|---|---|
| 1 | Side plate | 10 | Motor gear unit | - | Div. clear adhesive labels |
| 2 | Transformer ground | 11 | Cover | - | Accessories attachment drive components |
| 3 | Transformer | 12 | Cover catch | - | Accessories for cable fastening |
| 4 | Transformer cable | 13 | Stop buffer | - | Installation instructions |
| 5 | Deflection pulley | 14 | Track | - | User manual |
| 6 | Cable guide | 15 | Driver, short | - | Wiring diagram |
| 7 | Tooth belt | 16 | Driver, long | - | Log book |
| 8 | Control unit | 17 | Belt lock | - | Safety analysis |
| 9 | Rechargeable battery | 18 | Cover earthing | - | EC Installation Declaration of Conformity |
| | | | | - | Inspection certificate booklet |
| | | | | - | Type test mark |
| | | | | - | Drive drawing |
| | | | | - | Roller carriage |

5 Pre-mounting

The most up-to-date diagram is applicable for performing the pre-installation work. All components must be identified and installed in accordance with the drive drawing.

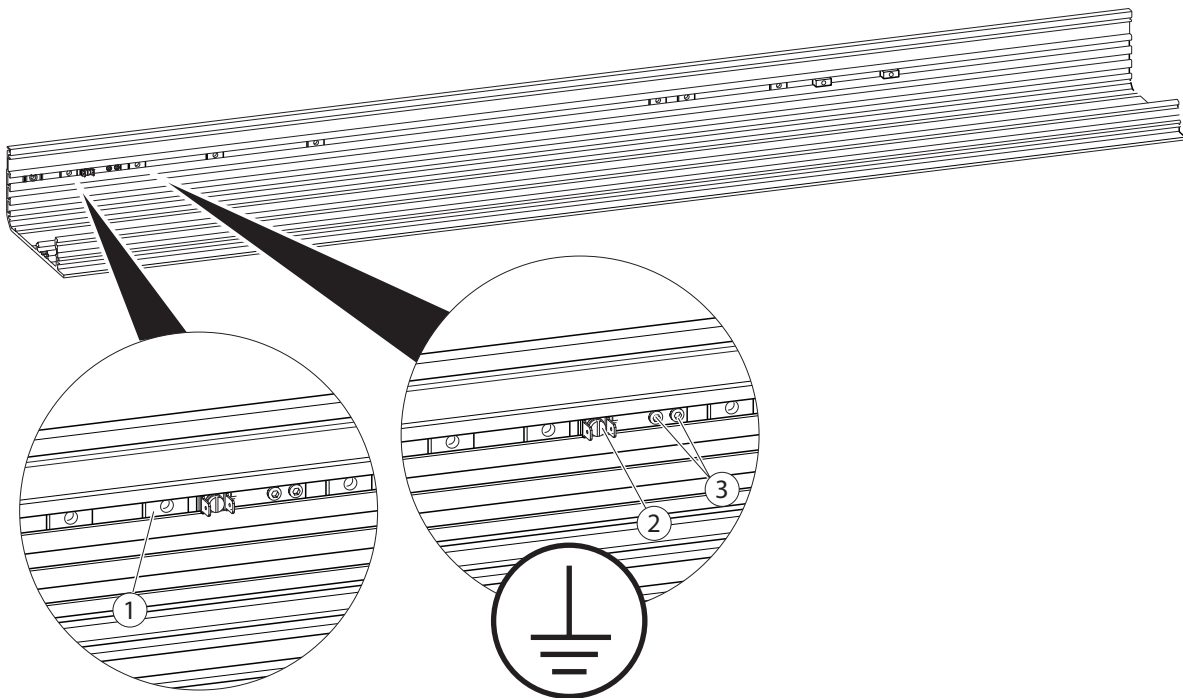
5.1 Machining the track and cover

- ▶ Check profiles for damage.
- ▶ Cut the track and cover to the required length (see machining drawings, Chapter 4.1)
- ▶ Install the line-feed (1) and drill holes (2) according to the drawing.
- ▶ Clean the track and cover after machining.



5.2 Preparing the track

- ▶ Slide sliding blocks (1) and earthing jumpers (2) into the mounting groove in accordance with the drive drawing.
- ▶ Screw on the earth jumpers (2) using the screws (3) (torque 4 Nm).



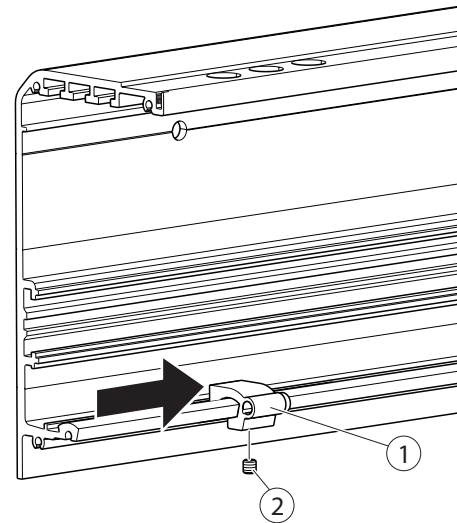
5.3 Installing stop buffers

Stop buffer: Pos. 13 in assembly group list, Chapter 4.4

- ▶ Set stop buffers on the track on the left and right (1).
- ▶ Screw in the setscrews M6×6 (2) until they are in contact with the track.

Do **not** tighten the setscrews.

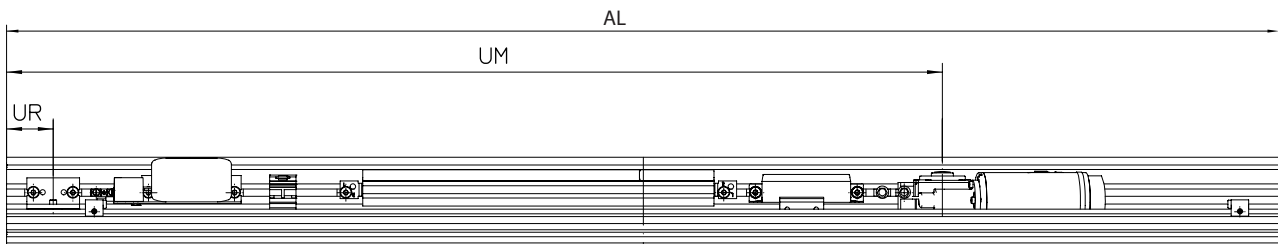
The exact position of the stop buffers (1) is specified during door leaf installation.



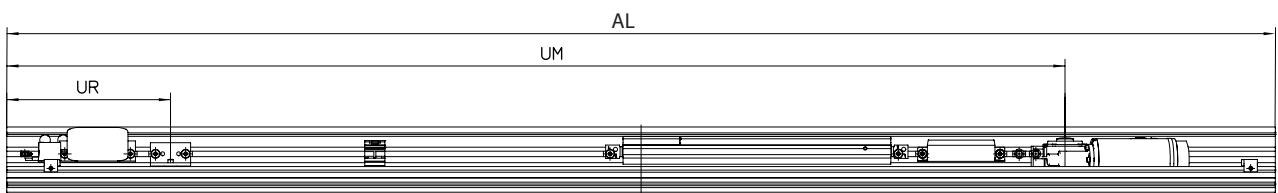
5.4 Installing the drive components

! The exact positioning of the components is given on the drive drawings.

Illustrated: 1-leaf, ÖW = 700 mm



Illustrated: 2-leaf, ÖW = 900 mm



Legend:

AL	Drive length
ÖW	Opening width
UM	Deflection pulley motor gear unit
UR	Deflection pulley

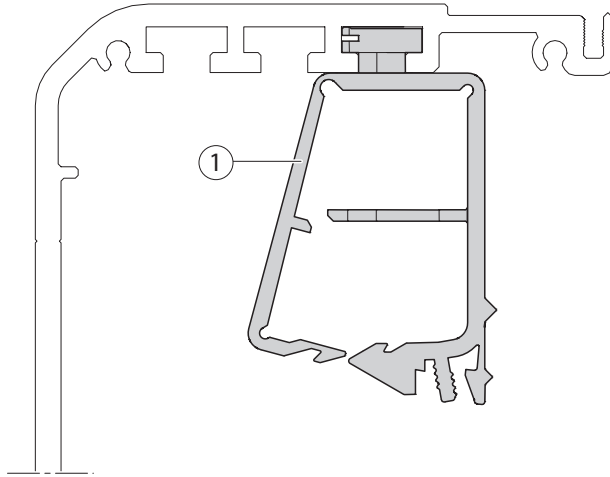
- ▶ Install the components with the screws provided in accordance with the drawing.
 - Deflection pulley torque 15 Nm
 - Torque for other components 10 Nm

5.5 Installing cable guides



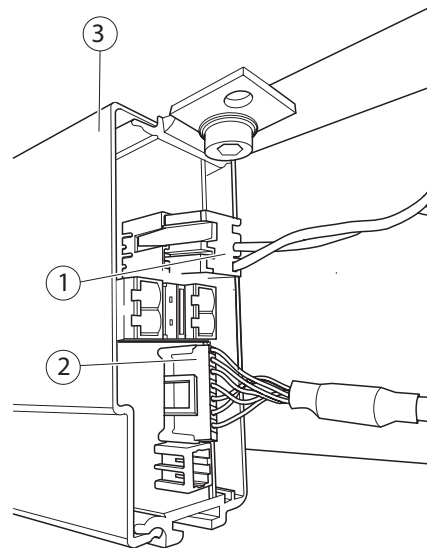
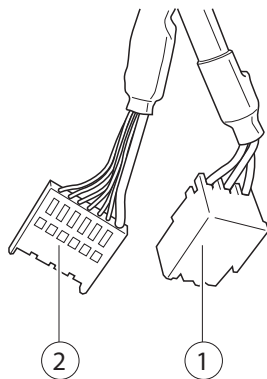
Cables can be cut!

- ▶ Lay cables in such a way that there are no cables near the moving parts.
Cable guide spacing approx. 200 mm.



- ▶ Fix the cable guide (1) on the track.

5.6 Connecting motor gear unit and control unit

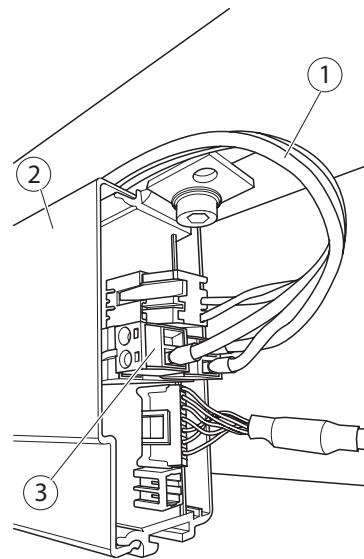


- ▶ Route the rotary encoder cable (2) and motor connection cable (1) to the control unit (3).
- ▶ Insert the connector into the control unit (3).

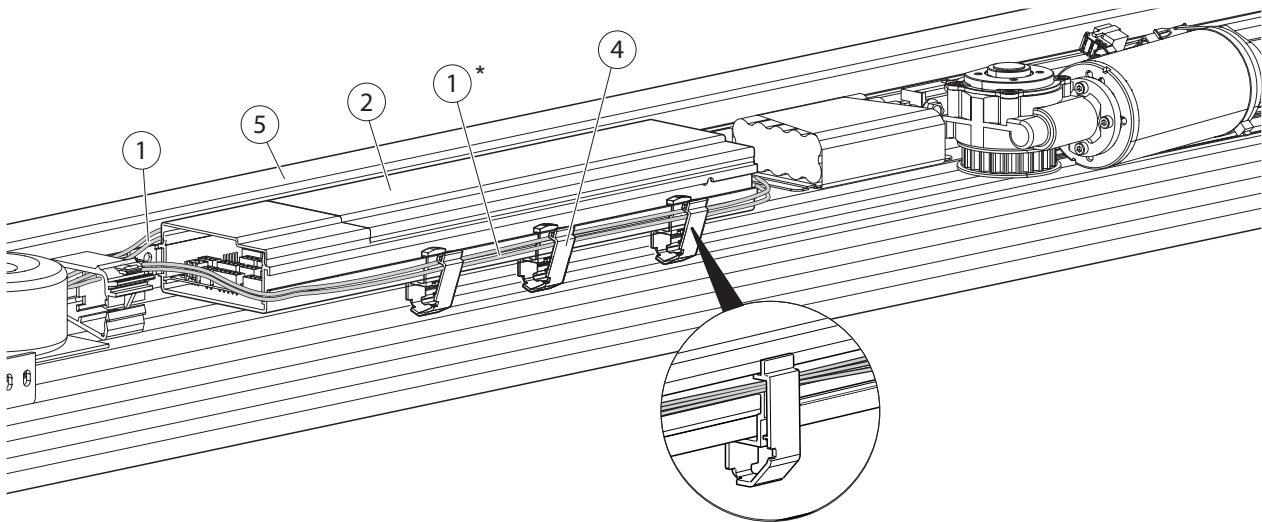
5.7 Connecting transformer and control unit

- ! ▶ Make sure that cables are cut to length and routed in such a way that they do not become jammed when the cover is positioned and cannot come into contact with moving components.

- ▶ Cut the three-wire transformer cable (1) to length.
- ▶ Strip both ends and attach insulated wire-end ferrules.
- ▶ Attach the two plugs (3) to the control unit (2).
- ▶ Plug the connector (3) into the control unit (2).



- ! ▶ Note earthing connection!
- ▶ Do not mix up wires!

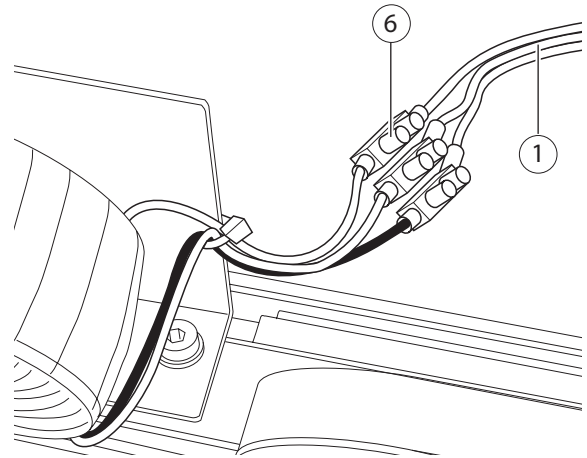


- ▶ Fix the cable guide DCU (4) to the control unit.
- ▶ Guide the transformer cable (1) between the control unit (2) and track (5).



* Alternatively, the transformer cable (1) can also be mounted on the front of the control unit.

- ▶ Fit the transformer cable (1) to terminal (6) of the transformer.



5.8 Fitting the transformer ground

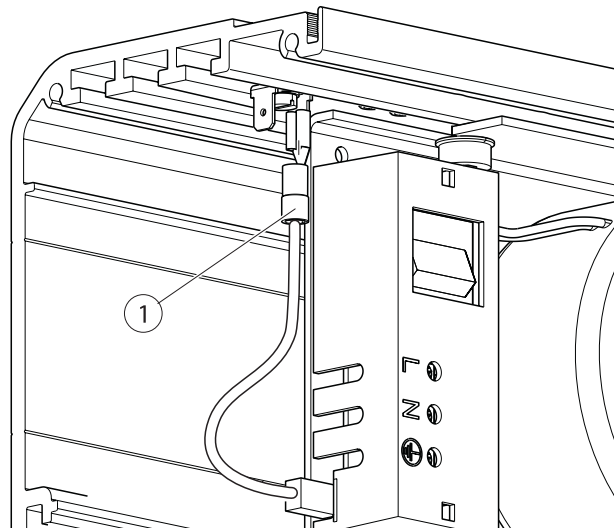


WARNING!

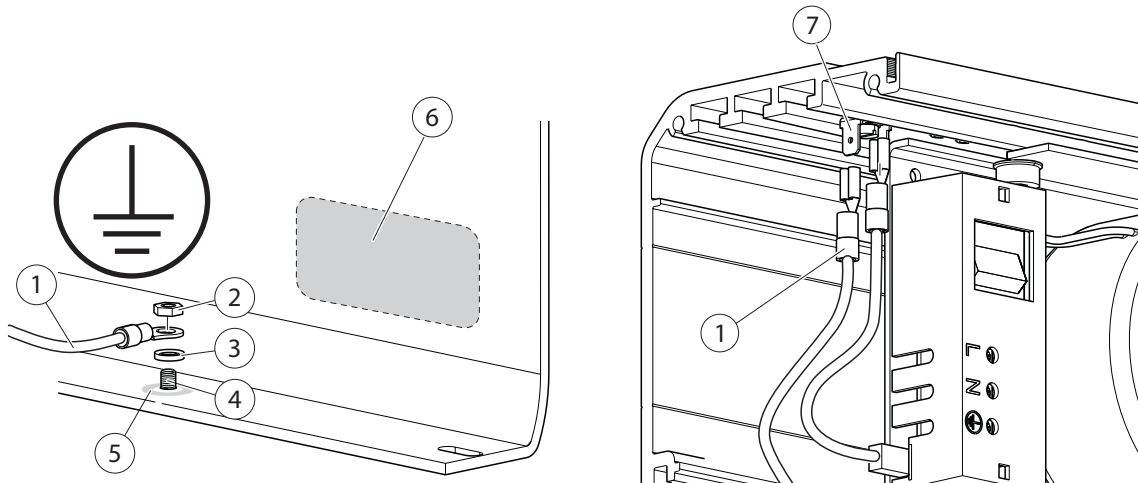
The track is not earthed if there is a poor connection between earthing jumper (2) and track.

- ▶ Check whether the setscrews of the earthing jumper (2) penetrate the anodised layer of the track.

- ▶ Connect the earthing cable (1) from the transformer to the device flat plug.



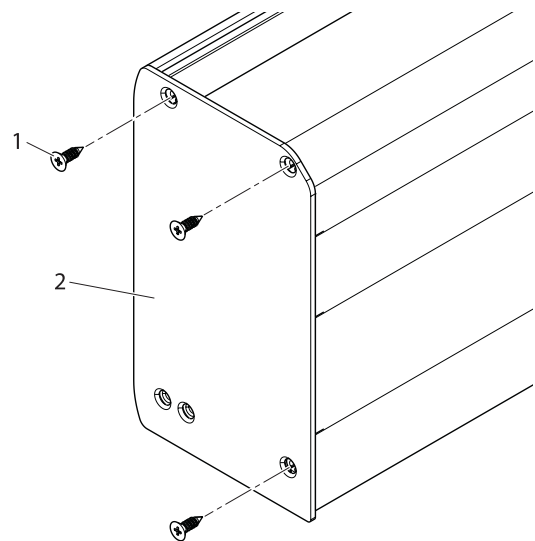
5.9 Fitting the cover earthing



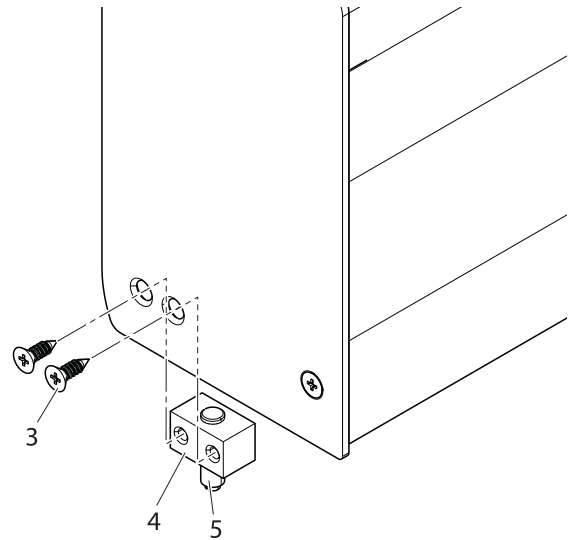
- ▶ Keep the counterbore (5) clear of any coatings.
- ▶ Remove the coating at some points in the dotted area (6) on the inside of the cover, if there are no blank points available for the device safety test.
- ▶ Screw the cable shoe of the cover earthing cable (1) using a countersunk screw (4), serrated washer (3) and hexagon nut (2).
- ▶ Connect the earthing cable of the cover (1) with the second plug-in connection of the device flat plug (7).

5.9.1 Installing the side plates

- ▶ Screw the side plates (2) to the track using the screws (1) (torque 5 Nm).



- ▶ Screw the safety block (4) to the inside of the side plate (2) using the screws (3).
- ▶ Screw the bolt (5) completely into the safety block (4) from below.



5.10 Connecting the rechargeable battery and control unit



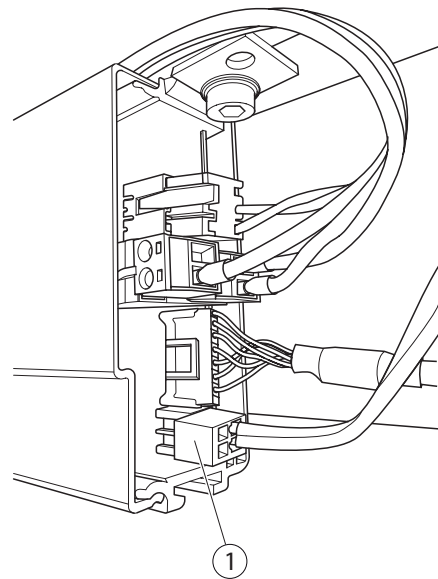
CAUTION!

Risk of injury due to impact and crushing!

When the rechargeable battery cable (1) is plugged in, the pulley on the motor gear unit may move suddenly.

- ▶ Do not reach into the area of moving parts.

- ▶ Check whether the rechargeable battery cable (1) is long enough.
- ▶ If necessary, plug the rechargeable battery extension cable to the rechargeable battery cable.
- ▶ Route the rechargeable battery cable (1) to the control unit.
- ▶ Insert the connector into the control unit.



6 Device safety test and production test



WARNING

Risk of fatal injury due to electric shock!

- ▶ The electrical system (230 V/115 V) may only be connected and disconnected by a professional electrician or specialist electrical technician.

- ▶ Complete a device safety test according to EN 60335-1 Annex A.

The device safety test consists of the following parts:

- Protective earth test with 10A test current
- Insulation strength testing (high voltage test) with 1000 VAC

A testing device suitable for this standard must be used.

Testing process

- ▶ Connect the mains cable with the mains plug to the transformer.
- ▶ Insert the mains plug in the testing device.
- ▶ Start the test on the testing device.
- ▶ Use the probe to test all metal parts connected to the protective conductor in sequence.
The low ohm connection between the PE line of the mains cable and the metal part contacted with the probe is tested in each case.

Use the probe to contact at least the following test points:

- Transformer metal bracket
- PE connection on the secondary side of the transformer (luster terminal)
- Track (blank, non-anodised area)
- Device flat plug for transformer ground connection
- Cover (blank, non-anodised area)

All protective earth connections must have a resistance of less than 0.1 Ω.

- ▶ Then start an insulation strength test (high voltage test) on the testing device.



Only drives that have passed the device safety test may be operated.

The results of the device safety test must be documented in a traceable manner along with the serial number of the drive.

After the device safety test, do not remove the device flat plug of the ground connection from the track.

- ▶ Carry out the production test as described in the wiring diagram "Automatic sliding doors DCU1-NT/DCU1-2M-NT".

6.1 Unplugging the cables

- ▶ Unplug the rechargeable battery cable from the control unit and secure it for transport.
- ▶ Unplug the ground line on the cover from the ground connector.

Germany
GEZE GmbH
Niederlassung Süd-West
Tel. +49 (0) 7152 203 594
E-Mail: leonberg.de@geze.com

GEZE GmbH
Niederlassung Süd-Ost
Tel. +49 (0) 7152 203 6440
E-Mail: muenchen.de@geze.com

GEZE GmbH
Niederlassung Ost
Tel. +49 (0) 7152 203 6840
E-Mail: berlin.de@geze.com

GEZE GmbH
Niederlassung Mitte/Luxemburg
Tel. +49 (0) 7152 203 6888
E-Mail: frankfurt.de@geze.com

GEZE GmbH
Niederlassung West
Tel. +49 (0) 7152 203 6770
E-Mail: duesseldorf.de@geze.com

GEZE GmbH
Niederlassung Nord
Tel. +49 (0) 7152 203 6600
E-Mail: hamburg.de@geze.com

GEZE Service GmbH
Tel. +49 (0) 1802 923392
E-Mail: service-info.de@geze.com

Austria
GEZE Austria
E-Mail: austria.at@geze.com
www.geze.at

Baltic States –
Lithuania / Latvia / Estonia
E-Mail: baltic-states@geze.com

Benelux
GEZE Benelux B.V.
E-Mail: benelux.nl@geze.com
www.geze.be
www.geze.nl

Bulgaria
GEZE Bulgaria - Trade
E-Mail: office-bulgaria@geze.com
www.geze.bg

China
GEZE Industries (Tianjin) Co., Ltd.
E-Mail: chinasales@geze.com.cn
www.geze.com.cn

GEZE Industries (Tianjin) Co., Ltd.
Branch Office Shanghai
E-Mail: chinasales@geze.com.cn
www.geze.com.cn

GEZE Industries (Tianjin) Co., Ltd.
Branch Office Guangzhou
E-Mail: chinasales@geze.com.cn
www.geze.com.cn

GEZE Industries (Tianjin) Co., Ltd.
Branch Office Beijing
E-Mail: chinasales@geze.com.cn
www.geze.com.cn

France
GEZE France S.A.R.L.
E-Mail: france.fr@geze.com
www.geze.fr

Hungary
GEZE Hungary Kft.
E-Mail: office-hungary@geze.com
www.geze.hu

Iberia
GEZE Iberia S.R.L.
E-Mail: info.es@geze.com
www.geze.es

India
GEZE India Private Ltd.
E-Mail: office-india@geze.com
www.geze.in

Italy
GEZE Italia S.r.l
E-Mail: italia.it@geze.com
www.geze.it

GEZE Engineering Roma S.r.l
E-Mail: italia.it@geze.com
www.geze.it

Korea
GEZE Korea Ltd.
E-Mail: info.kr@geze.com
www.geze.com

Poland
GEZE Polska Sp.z o.o.
E-Mail: geze.pl@geze.com
www.geze.pl

Romania
GEZE Romania S.R.L.
E-Mail: office-romania@geze.com
www.geze.ro

Russia
OOO GEZE RUS
E-Mail: office-russia@geze.com
www.geze.ru

Scandinavia – Sweden
GEZE Scandinavia AB
E-Mail: sverige.se@geze.com
www.geze.se

Scandinavia – Norway
GEZE Scandinavia AB avd. Norge
E-Mail: norge.se@geze.com
www.geze.no

Scandinavia – Denmark
GEZE Danmark
E-Mail: danmark.se@geze.com
www.geze.dk

Singapore
GEZE (Asia Pacific) Pte, Ltd.
E-Mail: gezesea@geze.com.sg
www.geze.com

South Africa
GEZE South Africa (Pty) Ltd.
E-Mail: info@gezesa.co.za
www.geze.co.za

Switzerland
GEZE Schweiz AG
E-Mail: schweiz.ch@geze.com
www.geze.ch

Turkey
GEZE Kapı ve Pencere Sistemleri
E-Mail: office-turkey@geze.com
www.geze.com

Ukraine
LLC GEZE Ukraine
E-Mail: office-ukraine@geze.com
www.geze.ua

United Arab Emirates/GCC
GEZE Middle East
E-Mail: gezeme@geze.com
www.geze.ae

United Kingdom
GEZE UK Ltd.
E-Mail: info.uk@geze.com
www.geze.com

GEZE GmbH
Reinhold-Vöster-Straße 21–29
71229 Leonberg
Germany

Tel.: 0049 7152 203 0
Fax.: 0049 7152 203 310
www.geze.com

