

SUMMARY OF POSSIBLE APPLICATIONS

Installation options for overhead door closers

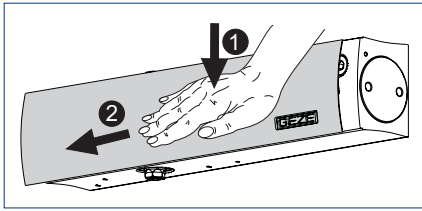
Contents

RECOMMENDED SETTINGS FOR GEZE DOOR CLOSERS	4
INSTRUCTIONS FOR OPPOSITE HINGE SIDE INSTALLATION	6
TS 1500	
Door leaf installation hinge side	7
Transom installation opposite hinge side	7
TS 1500 G	
Door leaf installation hinge side	8
Transom installation hinge side	8
TS 2000 NV/NV BC	
Door leaf installation hinge side	9
Door leaf installation opposite hinge side with PA bracket for parallel arm installation	9
Door leaf installation hinge side with mounting plate for segmental arched door	10
Door leaf installation hinge side with clamping shoe for all-glass door	11
Door leaf installation hinge side with mounting plate for link arm with slim frames	11
Transom installation opposite hinge side	12
Transom installation opposite hinge side with lintel casing bracket	12
TS 3000 V / V BC / EN3	
Door leaf installation hinge side	13
Door leaf installation opposite hinge side	13
Door leaf installation hinge side with clamping shoe for all-glass door	14
Transom installation hinge side	15
Transom installation opposite hinge side	16
Transom installation opposite hinge side with lintel casing bracket	17
TS 4000 / S / E / EFS	
Door leaf installation hinge side	18
Door leaf installation hinge side with mounting plate for link arm with slim frames	19
TS 4000 / E / EFS / R / RFS	
Transom installation opposite hinge side	20
TS 4000 / S	
Door leaf installation opposite hinge side with PA bracket for parallel arm installation	21
Door leaf installation hinge side with mounting plate for segmental arched door	22
Door leaf installation hinge side with clamping shoe for all-glass door	23
Transom installation opposite hinge side with lintel casing bracket	24
TS 4000 IS / E-IS	
Door leaf installation hinge side, 2-leaf	25
TS 4000 IS / E-IS / R-IS	
Transom installation opposite hinge side, 2-leaf	26

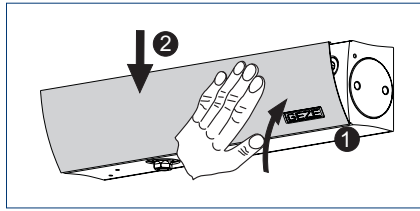
TS 5000 / ECLINE / S / E / R / EFS / RFS / TS 5000 SOFTCLOSE	
Door leaf installation hinge side	27
TS 5000 EFS/RFS	
Transom installation hinge side	28
TS 5000 / ECLINE / S / E / TS 5000 SOFTCLOSE	
Transom installation opposite hinge side	29
Transom installation opposite hinge side with lintel casing bracket	30
TS 5000 / ECLINE / S / E / TS 5000 SOFTCLOSE	
Door leaf installation hinge side with clamping shoe for all-glass door	31
TS 5000 ISM / E-ISM / R-ISM / FREE SWING OPTIONAL / ECLINE OPTIONAL / ISM-SOFTCLOSE / E-ISM SOFTCLOSE / R-ISM SOFTCLOSE	
Door leaf installation hinge side, 2-leaf	32
TS 5000 L/ ECLINE L / TS 5000 L SOFTCLOSE	
Transom installation hinge side	34
TS 5000 L / ECLINE L / TS 5000 L SOFTCLOSE / L-E / L-R	
Door leaf installation opposite hinge side	35
Door leaf installation opposite hinge side with lintel casing bracket	36
TS 5000 L-ISM / L-E-ISM / L-R-ISM / L-ISM VPK / L-E-ISM VPK / L-R-ISM VP	
Door leaf installation opposite hinge side, 2-leaf	37
T-STOP GUIDE RAIL WITH PIVOT BEARING	
Door leaf installation hinge side	39
Door leaf installation opposite hinge side	39
Transom installation hinge side	40
Transom installation opposite hinge side	40

RECOMMENDED SETTINGS FOR GEZE DOOR CLOSERS

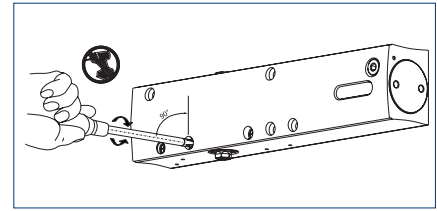
Remove face plate



Clip face plate open

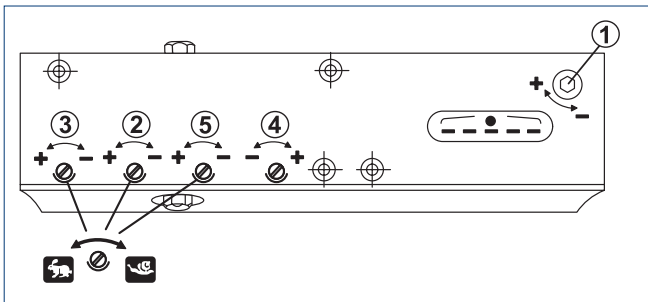


Set



TS 5000/4000/3000/2000: slit
TS 1500: PH2 cross slot

TS 5000

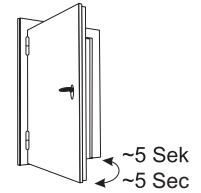


1 = Closing force | 2 = Closing speed | 3 = Latching action |
4 = Back check | 5 = Delayed closing (only with TS 5000 S)

Display closing force

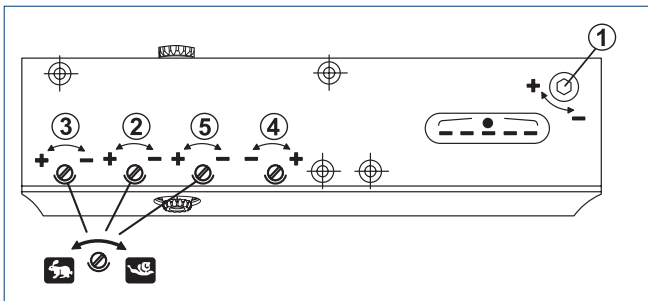
2	up to 850
3	850 - 950
4	950 - 1100
5	1100 - 1250
6	1250 - 1400

Leaf width [mm]



Light-running door must be closed completely by the door closer!

TS 4000

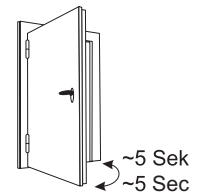


1 = Closing force | 2 = Closing speed |
3 = Latching action (only with TS 4000 S) | 4 = Back check |
5 = Delayed closing (only with TS 4000 S)

Display closing force

1	up to 750
2	750 - 850
3	850 - 950
4	950 - 1100
5	1100 - 1250
6	1250 - 1400

Leaf width [mm]

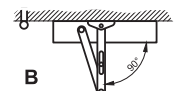
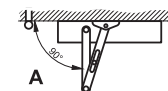


Light-running door must be closed completely by the door closer!

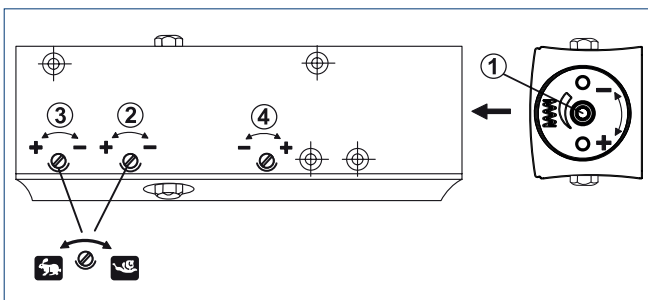
Setting latching action

with latching action

without latching action



TS 3000 V

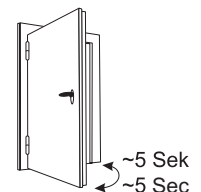


1 = Closing force | 2 = Closing speed | 3 = Latching action |
4 = Back check (only with TS 3000 V BC)

Setting closing force

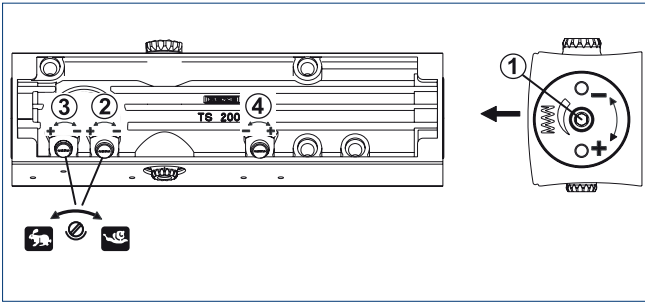
Limit stop -	up to 750
2.5 turns	750 - 850
5 turns	850 - 950
Limit stop +	950 - 1100

Leaf width [mm]



Light-running door must be closed completely by the door closer!

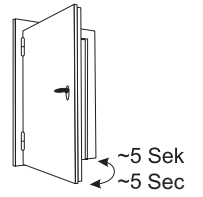
TS 2000 NV



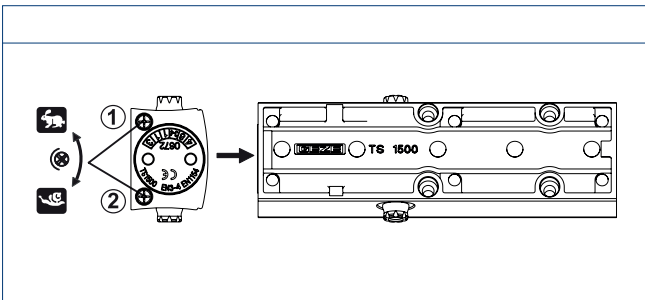
1 = Closing force | 2 = Closing speed | 3 = Latching action |
4 = Back check (only with TS 2000 NV BC)

Setting closing force	Leaf width [mm]
Limit stop -	up to 850
4 turns	850 - 950
Limit stop+	up to 1100

Light-running door must be closed completely by the door closer!



TS 1500

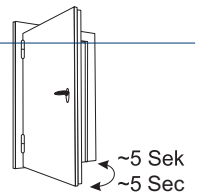


! Setting of closing force by rotating the top of the link arm

1 = Closing speed | 2 = Latching action

Setting closing force	Leaf width [mm]
A	850 - 950
B	950 - 1100

Light-running door must be closed completely by the door closer!



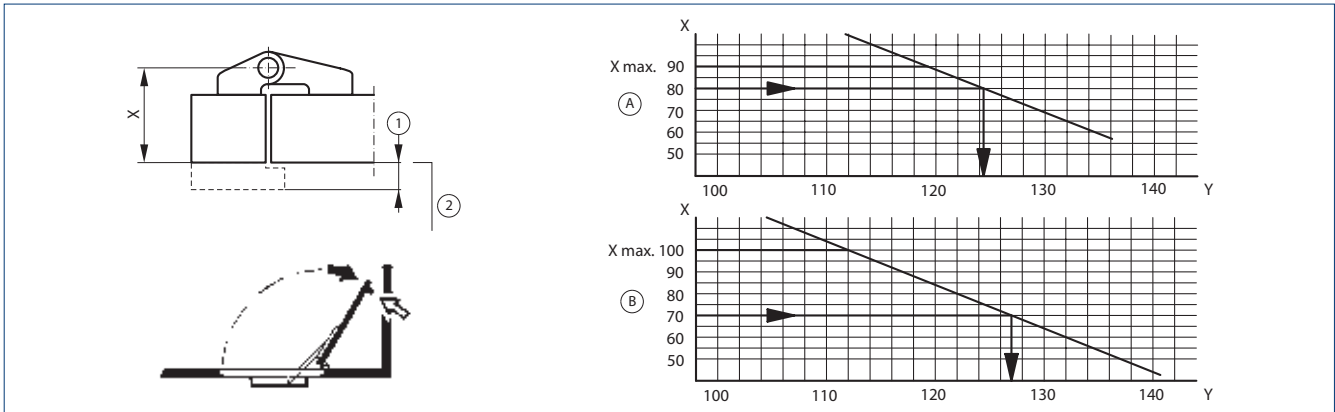
GENERAL PRODUCT INFORMATION ABOUT GEZE OVERHEAD DOOR CLOSERS

CLOSING FORCE

according to EN 1154	recommended door leaf width (mm)
Closing force 1	up to 750
Closing force 2	over 750 up to 850
Closing force 3	over 850 up to 950
Closing force 4	over 950 up to 1100
Closing force 5	over 1100 up to 1250
Closing force 6	over 1250 up to 1400
Closing force 7	over 1400 up to 1600

NOTES FOR DOOR CLOSERS WITH GUIDE RAIL FOR OPPOSITE HINGE SIDE INSTALLATION

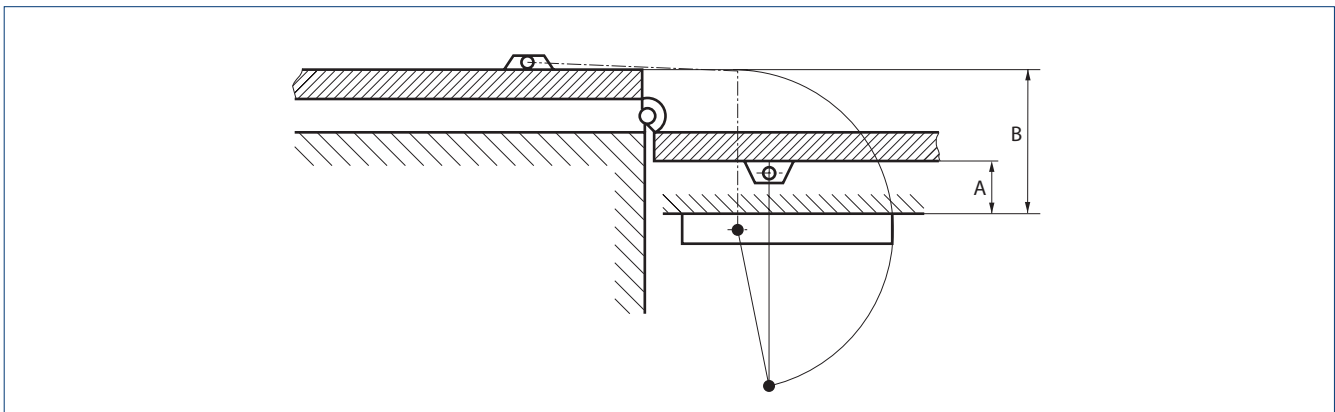
Attention: To prevent damage to the door system, the maximum door opening angle must be limited (door stopper or T-Stop guide rail).



1 = Door overlap max. 15 mm | 2 = Flush-mounted door | X = Distance from the pivot point to contact area of guide rail X dimension max. = 100 mm for 2-leaf/ 90 mm for 1-leaf | A = 1-leaf systems | B = 2-leaf systems (except TS 5000 L-R-ISM VP, TS 5000 L-ISM VPK and TS 5000 L-E-ISM VPK) | Y = Door opening angle

GEZE VPK systems must be fitted on the opposite hinge side of 2-leaf full panic doors. X dimension max. = 110 mm.

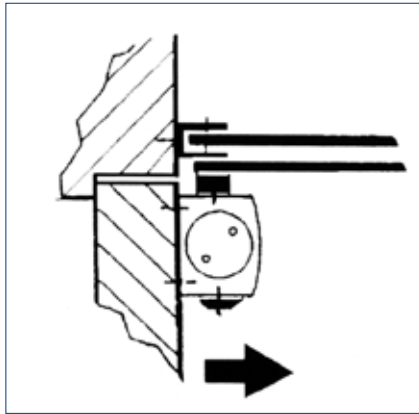
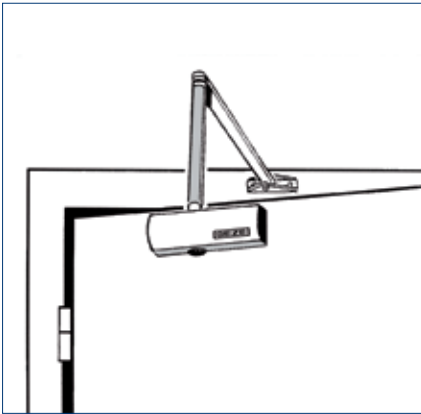
NOTES FOR DOOR CLOSERS WITH LINK ARM FOR OPPOSITE HINGE SIDE INSTALLATION



A = Reveal depth | B = Reveal depth + 2 door thickness + 2 pivot point distance
 Door opening up to 180° is only possible if the following dimensions are not exceeded: A = 70 mm and B = 200 mm

DOOR LEAF INSTALLATION HINGE SIDE

TS 1500 door leaf installation/hinge side



AREAS OF APPLICATION

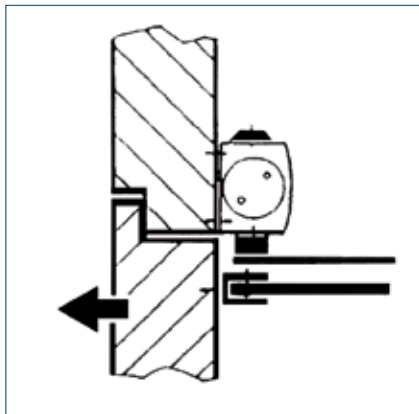
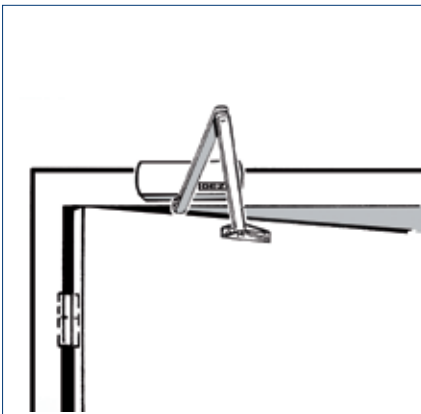
- Closing force 3/4 according to EN 1154, leaf width up to 1100 mm
- Can be used for right and left hand doors without conversion
- Fire and smoke protection doors

ORDER INFORMATION

Designation	Version	ID no.
TS 1500 door closer closing force EN 3/4 (without link arm)	silver-coloured	101792
Link arm TS 1500/1000 C standard	silver-coloured	101878
Link arm TS 1500/1000 C with mechanical hold-open device	silver-coloured	101815
ACCESSORIES		
Mounting plate door closer for TS 1500	silver-coloured	029682

TRANSOM INSTALLATION OPPOSITE HINGE SIDE

TS 1500 transom installation/opposite hinge side



AREAS OF APPLICATION

- Closing force 3/4 according to EN 1154, leaf width up to 1100 mm
- Can be used for right and left hand doors without conversion
- Fire and smoke protection doors

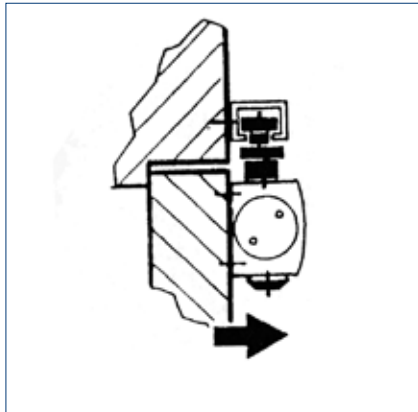
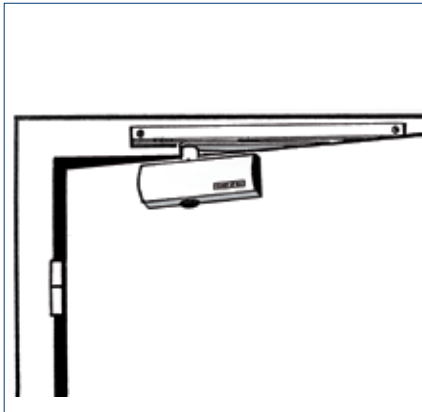
ORDER INFORMATION

Designation	Version	ID no.
TS 1500 door closer closing force EN 3/4 (without link arm)	silver-coloured	101792
Link arm TS 1500/1000 C standard	silver-coloured	101878
Link arm TS 1500/1000 C with mechanical hold-open device	silver-coloured	101815
ACCESSORIES		
Mounting plate door closer for TS 1500	silver-coloured	029682

→ **Note:** See our system catalogues for further accessories and colour variants.

DOOR LEAF INSTALLATION HINGE SIDE

TS 1500 G door leaf installation/hinge side



AREAS OF APPLICATION

- Closing force 1 according to EN 1154, leaf width up to 750 mm
- Can be used for right and left hand doors without conversion

ORDER INFORMATION

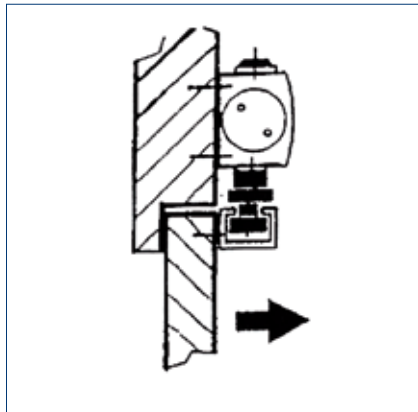
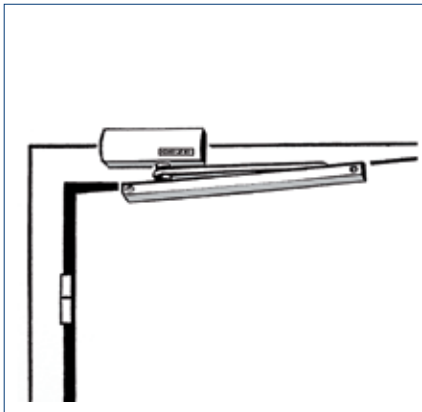
Designation	Version	ID no.
TS 1500 G door closer closing force EN 1 (without guide rail and lever)	silver-coloured	101792
Guide rail TS 1500 G with lever	silver-coloured	101885
Guide rail TS 1500 G/F with mechanical hold-open device and lever	silver-coloured	101889

ACCESSORIES

Mechanical hold-open unit for standard/T-Stop/Boxer 20.7 mm guide rail, retention force adjustable, can be switched on and off, can be overridden		071924
Mounting plate guide rail for TS 1500 G	silver-coloured	072333
Mounting plate door closer for TS 1500	silver-coloured	029682

TRANSOM INSTALLATION HINGE SIDE

TS 1500 G transom installation/hinge side



AREAS OF APPLICATION

- Closing force 1 according to EN 1154, leaf width up to 750 mm
- Can be used for right and left hand doors without conversion

ORDER INFORMATION

Designation	Version	ID no.
TS 1500 G door closer closing force EN 1 (without guide rail and lever)	silver-coloured	101792
Guide rail TS 1500 G with lever	silver-coloured	101885
Guide rail TS 1500 G/F with mechanical hold-open device and lever	silver-coloured	101889

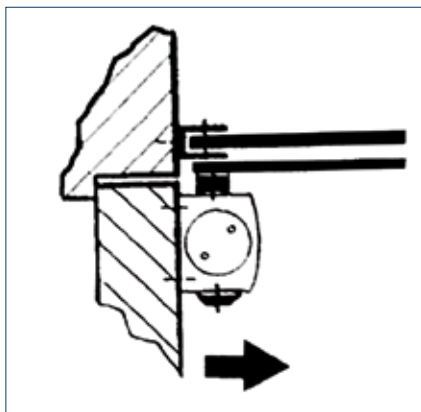
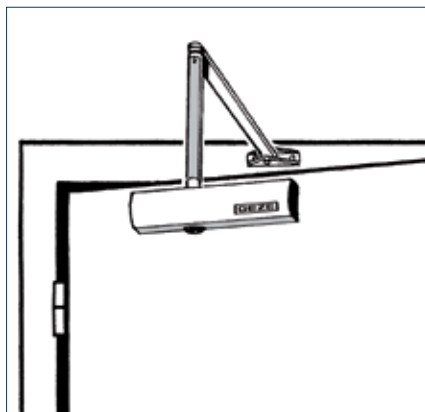
ACCESSORIES

Mechanical hold-open unit for standard/T-Stop/Boxer 20.7 mm guide rail, retention force adjustable, can be switched on and off, can be overridden		071924
Mounting plate guide rail for TS 1500 G	silver-coloured	072333
Mounting plate door closer for TS 1500	silver-coloured	029682

→ **Note:** See our system catalogues for further accessories and colour variants.

DOOR LEAF INSTALLATION HINGE SIDE

TS 2000 NV door leaf installation/hinge side



AREAS OF APPLICATION

- Closing force 2-4 according to EN 1154, leaf width up to 1100 mm
- Can be used for right and left hand doors without conversion
- Fire and smoke protection doors

ORDER INFORMATION

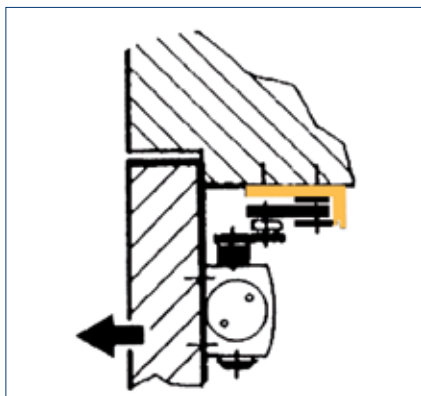
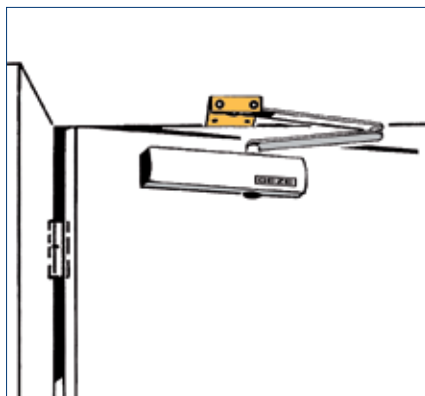
Designation	Version	ID no.
TS 2000 NV BC door closer closing force EN 2-4 with back check (without link arm)	silver-coloured	124944
TS 2000 NV door closer closing force EN 2-4 (without link arm)	silver-coloured	128885
Link arm TS 4000/2000 standard	silver-coloured	102421
Link arm TS 4000/2000 with mechanical hold-open device that can be switched on and off	silver-coloured	102445
Link arm TS 4000/2000 with mechanical hold-open device	silver-coloured	102454

ACCESSORIES

Mounting plate door closer for TS 2000 NV and NV BC with hole pattern according to DIN EN 1154 supplementary sheet 1	126234
--	--------

DOOR LEAF INSTALLATION OPPOSITE HINGE SIDE WITH PA BRACKET FOR PARALLEL ARM INSTALLATION

TS 2000 NV door leaf installation/opposite hinge side parallel arm installation



AREAS OF APPLICATION

- Closing force 2-4 according to EN 1154, leaf width up to 1100 mm
- Can be used for right and left hand doors without conversion
- Note for rescue routes, restriction of passage height by approx. 30 mm

ORDER INFORMATION

Designation	Version	ID no.
TS 2000 NV BC door closer closing force EN 2-4 with back check (without link arm)	silver-coloured	124944
TS 2000 NV door closer closing force EN 2-4 (without link arm)	silver-coloured	128885
Link arm TS 4000/2000 standard	silver-coloured	102421
Link arm TS 4000/2000 with mechanical hold-open device that can be switched on and off	silver-coloured	102445
Link arm TS 4000/2000 with mechanical hold-open device	silver-coloured	102454

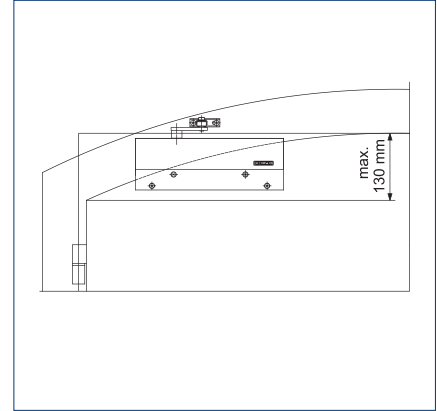
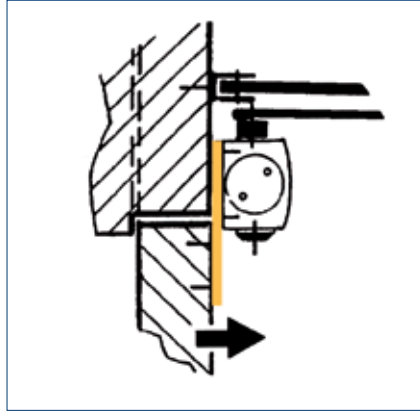
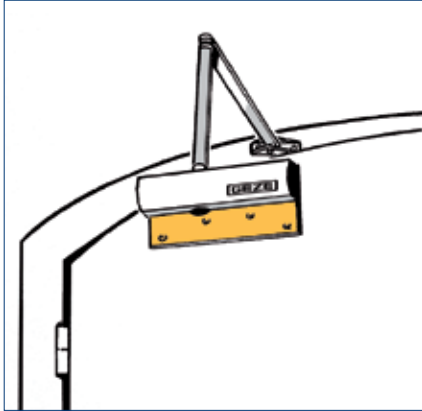
ACCESSORIES

Mounting plate link arm for TS 4000/TS 2000, for parallel arm installation	silver-coloured	053318
Mounting plate door closer for TS 2000 NV and NV BC with hole pattern according to DIN EN 1154 supplementary sheet 1	126234	

→ **Note:** See our system catalogues for further accessories and colour variants.

DOOR LEAF INSTALLATION HINGE SIDE WITH MOUNTING PLATE FOR SEGMENTAL ARCHED DOOR

TS 2000 NV door leaf installation/hinge side segmental arch



AREAS OF APPLICATION

- Closing force 2-4 according to EN 1154, leaf width up to 1100 mm
- Can be used for right and left hand doors without conversion
- Semicircular/segmental arched doors, max. arch height approx. 130 mm
- Fire and smoke protection doors

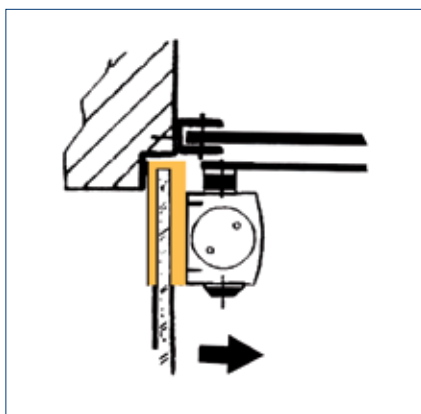
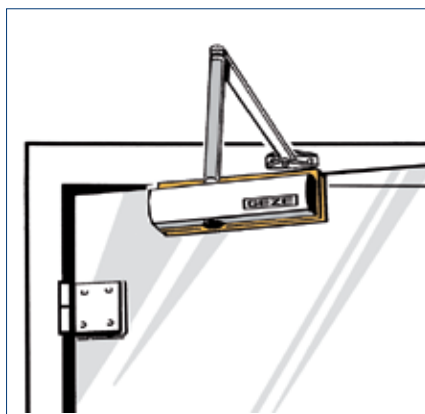
ORDER INFORMATION

Designation	Version	ID no.
TS 2000 NV BC door closer closing force EN 2-4 with back check (without link arm)	silver-coloured	124944
TS 2000 NV door closer closing force EN 2-4 (without link arm)	silver-coloured	128885
Link arm TS 4000/2000 standard	silver-coloured	102421
Link arm TS 4000/2000 with mechanical hold-open device that can be switched on and off	silver-coloured	102445
Link arm TS 4000/2000 with mechanical hold-open device	silver-coloured	102454
ACCESSORIES		
Mounting plate segmental arched door for TS 2000 NV, arch height max. 130 mm	silver-coloured	127434

→ **Note:** See our system catalogues for further accessories and colour variants.

DOOR LEAF INSTALLATION HINGE SIDE WITH CLAMPING SHOE FOR ALL-GLASS DOOR

TS 2000 NV door leaf installation/hinge side clamping shoe glass



AREAS OF APPLICATION

- Closing force 2-4 according to EN 1154, leaf width up to 1100 mm
- Can be used for right and left hand doors without conversion
- Clamping shoe, glass thickness 8-10 mm
- Mounting plate and counterplate variant also possible, glass thickness 10/12 mm

ORDER INFORMATION

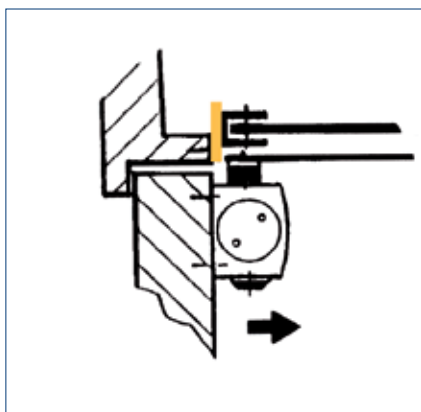
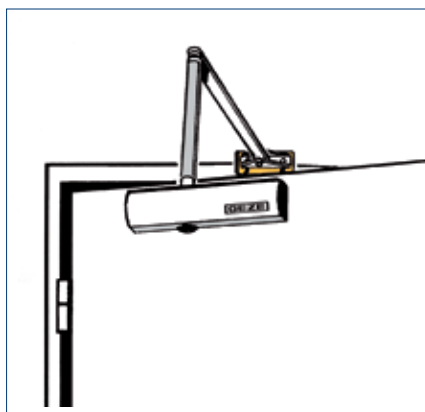
Designation	Version	ID no.
TS 2000 NV BC door closer closing force EN 2-4 with back check (without link arm)	silver-coloured	124944
TS 2000 NV door closer closing force EN 2-4 (without link arm)	silver-coloured	128885
Link arm TS 4000/2000 standard	silver-coloured	102421
Link arm TS 4000/2000 with mechanical hold-open device that can be switched on and off	silver-coloured	102445
Link arm TS 4000/2000 with mechanical hold-open device	silver-coloured	102454

ACCESSORIES

Glass clamping shoe door closer for TS 3000/TS 2000 NV	silver-coloured	014835
Mounting plate and counterplate for all-glass door for TS 3000/TS 2000 NV	silver-coloured	090259

DOOR LEAF INSTALLATION HINGE SIDE WITH MOUNTING PLATE FOR LINK ARM WITH SLIM FRAMES

TS 2000 NV door leaf installation/hinge side mounting plate slim frame



AREAS OF APPLICATION

- Closing force 2-4 according to EN 1154, leaf width up to 1100 mm
- Can be used for right and left hand doors without conversion
- Fire and smoke protection doors

ORDER INFORMATION

Designation	Version	ID no.
TS 2000 NV BC door closer closing force EN 2/4/5 with back check (without link arm)	silver-coloured	124944
TS 2000 NV door closer closing force EN 2/4/5 (without link arm)	silver-coloured	128885
Link arm TS 4000/2000 standard	silver-coloured	102421
Link arm TS 4000/2000 with mechanical hold-open device that can be switched on and off	silver-coloured	102445
Link arm TS 4000/2000 with mechanical hold-open device	silver-coloured	102454

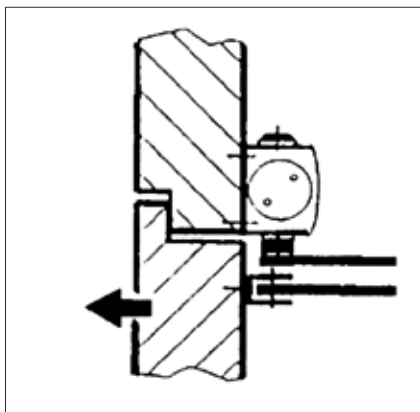
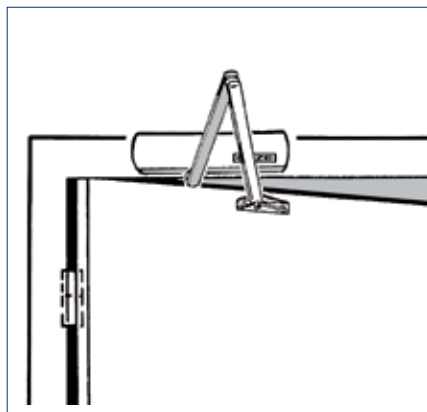
ACCESSORIES

Mounting plate link arm for TS 4000/TS 2000, with slim frames	silver-coloured	057109
Mounting plate door closer for TS 2000 NV and NV BC with hole pattern according to DIN EN 1154 supplementary sheet 1		126234

→ **Note:** See our system catalogues for further accessories and colour variants.

TRANSOM INSTALLATION OPPOSITE HINGE SIDE

TS 2000 NV transom installation/opposite hinge side



AREAS OF APPLICATION

- Closing force 2-4 according to EN 1154, leaf width up to 1100 mm
- Can be used for right and left hand doors without conversion
- Fire and smoke protection doors

ORDER INFORMATION

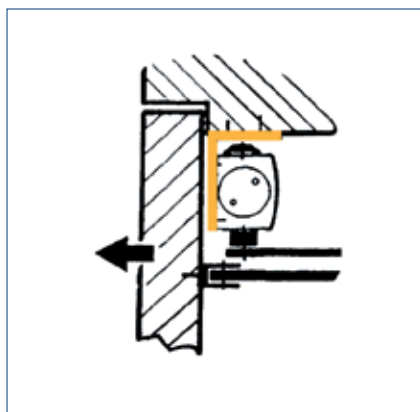
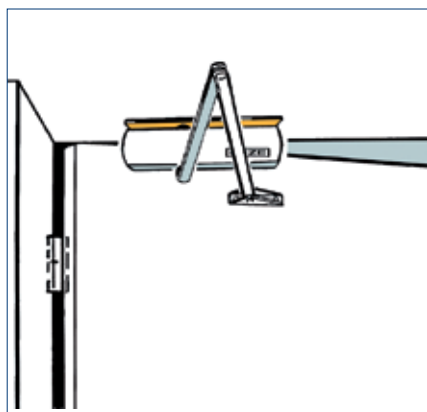
Designation	Version	ID no.
TS 2000 NV BC door closer closing force EN 2-4 with back check (without link arm)	silver-coloured	124944
TS 2000 NV door closer closing force EN 2-4 (without link arm)	silver-coloured	128885
Link arm TS 4000/2000 standard	silver-coloured	102421
Link arm TS 4000/2000 with mechanical hold-open device that can be switched on and off	silver-coloured	102445
Link arm TS 4000/2000 with mechanical hold-open device	silver-coloured	102454

ACCESSORIES

Mounting plate door closer for TS 2000 NV and NV BC with hole pattern according to DIN EN 1154 supplementary sheet 1	126234
--	--------

TRANSOM INSTALLATION OPPOSITE HINGE SIDE WITH LINTEL CASING BRACKET

TS 2000 NV transom installation/opposite hinge side lintel casing bracket



AREAS OF APPLICATION

- Closing force 2-4 according to EN 1154, leaf width up to 1100 mm
- Can be used for right and left hand doors without conversion
- Note for rescue routes, restriction of passage height by approx. 100 mm
- Fire and smoke protection doors

ORDER INFORMATION

Designation	Version	ID no.
TS 2000 NV BC door closer closing force EN 2-4 with back check (without link arm)	silver-coloured	124944
TS 2000 NV door closer closing force EN 2-4 (without link arm)	silver-coloured	128885
Link arm TS 4000/2000 standard	silver-coloured	102421
Link arm TS 4000/2000 with mechanical hold-open device that can be switched on and off	silver-coloured	102445
Link arm TS 4000/2000 with mechanical hold-open device	silver-coloured	102454

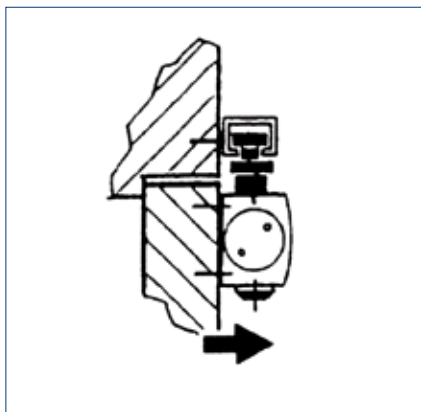
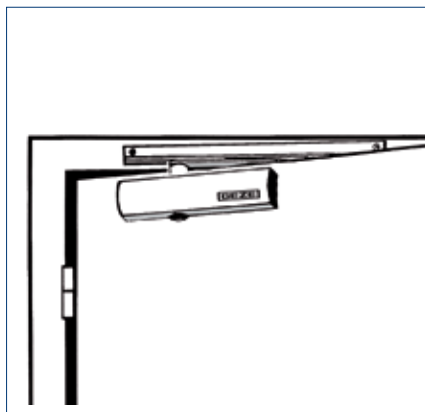
ACCESSORIES

Lintel casing bracket transom installation BG for TS 2000 NV/TS 3000 V	silver-coloured	127432
--	-----------------	--------

→ **Note:** See our system catalogues for further accessories and colour variants.

DOOR LEAF INSTALLATION HINGE SIDE

TS 3000 V door leaf installation/hinge side



AREAS OF APPLICATION

- Closing force 1- 4 according to EN 1154, leaf width up to 1100 mm
- Can be used for right and left hand doors without conversion
- Fire and smoke protection doors
- TS 3000 EN3 for leaf widths up to 950 mm

ORDER INFORMATION

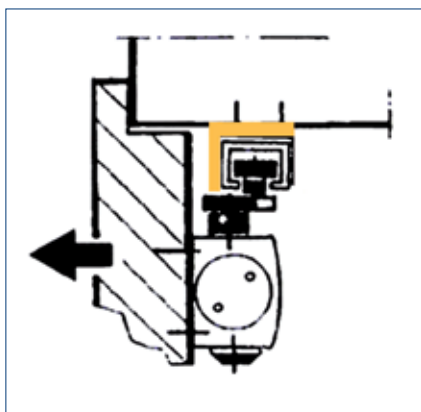
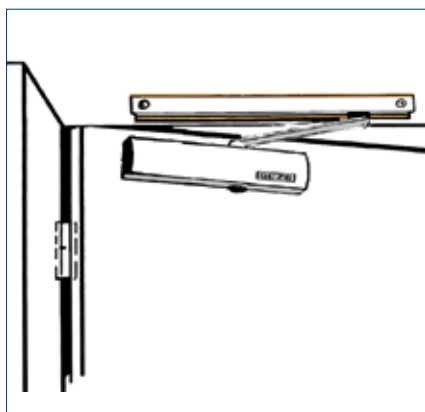
Designation	Version	ID no.
TS 3000 V door closer closing force EN 1-4 (without guide rail and lever)	silver-coloured	028348
TS 3000 EN3 door closer closing force EN3 (without guide rail and lever)	silver-coloured	102247
TS 3000 V BC door closer closing force EN 1-4, with back check (without guide rail and lever)	silver-coloured	109326
Guide rail TS 5000/TS 3000 standard, with lever	silver-coloured	068221

ACCESSORIES

Mechanical hold-open unit for standard/T-Stop/Boxer 20.7 mm guide rail, retention force adjustable, can be switched on and off, can be overridden		071924
Mounting plate guide rail for standard/ECLine/T-Stop/EFS guide rail	silver-coloured	001512
Mounting plate door closer for TS 3000 with hole pattern according to DIN EN 1154 supplementary sheet 1	silver-coloured	011230

DOOR LEAF INSTALLATION OPPOSITE HINGE SIDE

TS 3000 V door leaf installation/opposite hinge side (optionally with lintel casing bracket)



AREAS OF APPLICATION

- Closing force 1- 4 according to EN 1154, leaf width up to 1100 mm
- Can be used for right and left hand doors without conversion
- Fire and smoke protection doors
- TS 3000 EN3 for leaf widths up to 950 mm
- Installation with lintel casing bracket possible

ORDER INFORMATION

Designation	Version	ID no.
TS 3000 V door closer closing force EN 1-4 (without guide rail and lever)	silver-coloured	028348
TS 3000 EN3 door closer closing force EN3 (without guide rail and lever)	silver-coloured	102247
TS 3000 V BC door closer closing force EN 1-4, with back check (without guide rail and lever)	silver-coloured	109326
Guide rail BG TS 5000/TS 3000 standard, with lever, for use with door closer on door leaf installation opposite hinge side	silver-coloured	025655

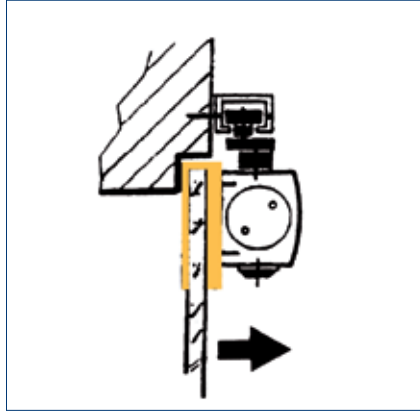
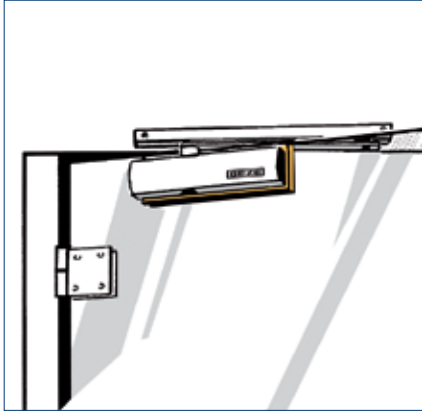
ACCESSORIES

Mechanical hold-open unit for standard/T-Stop/Boxer 20.7 mm guide rail, retention force adjustable, can be switched on and off, can be overridden		071924
Mounting plate guide rail BG for standard/ECLine/T-Stop/EFS guide rail	silver-coloured	124683
Mounting plate door closer for TS 3000 with hole pattern according to DIN EN 1154 supplementary sheet 1	silver-coloured	011230
Lintel casing bracket guide rail BG for standard guide rail	silver-coloured	025657

→ **Note:** See our system catalogues for further accessories and colour variants.

DOOR LEAF INSTALLATION HINGE SIDE WITH CLAMPING SHOE FOR ALL-GLASS DOOR

TS 3000 V door leaf installation/hinge side clamping shoe glass



AREAS OF APPLICATION

- Closing force 1- 4 according to EN 1154, leaf width up to 1100 mm
- Can be used for right and left hand doors without conversion
- TS 3000 EN3 for leaf widths up to 950 mm
- Clamping shoe, glass thickness 8-10 mm

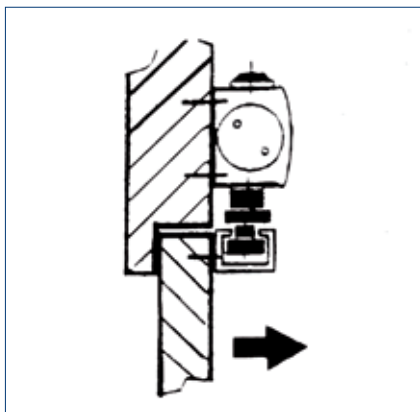
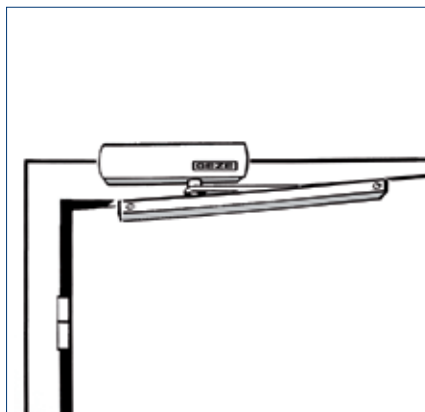
ORDER INFORMATION

Designation	Version	ID no.
TS 3000 V door closer closing force EN 1-4 (without guide rail and lever)	silver-coloured	028348
TS 3000 EN3 door closer closing force EN3 (without guide rail and lever)	silver-coloured	102247
TS 3000 V BC door closer closing force EN 1-4, with back check (without guide rail and lever)	silver-coloured	109326
Guide rail TS 5000/TS 3000 standard, with lever	silver-coloured	068221
ACCESSORIES		
Glass clamping shoe door closer for TS 3000/TS 2000 NV	silver-coloured	014835
Mechanical hold-open unit for standard/ T-Stop/Boxer 20.7 mm guide rail, retention force adjustable, can be switched on and off, can be overridden		071924
Mounting plate guide rail for standard/EClime/T-Stop/EFS guide rail	silver-coloured	001512

→ **Note:** See our system catalogues for further accessories and colour variants.

TRANSOM INSTALLATION HINGE SIDE

TS 3000 V transom installation/hinge side



AREAS OF APPLICATION

- Closing force 1- 4 according to EN 1154, leaf width up to 1100 mm
- Can be used for right and left hand doors without conversion
- TS 3000 EN3 for leaf widths up to 950 mm
- Fire and smoke protection doors

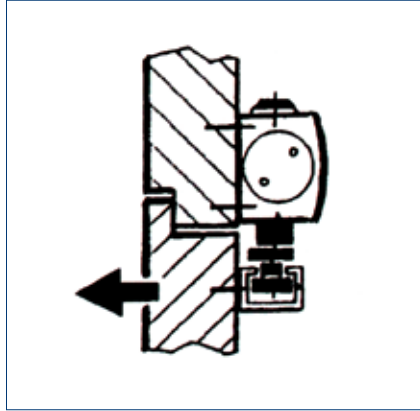
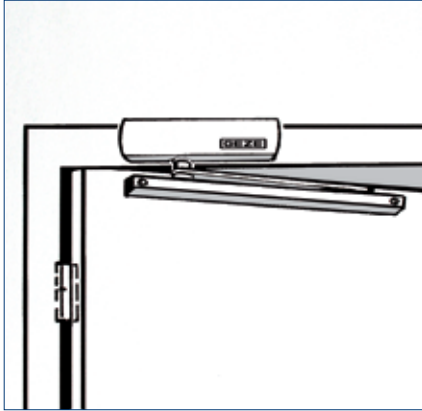
ORDER INFORMATION

Designation	Version	ID no.
TS 3000 V door closer closing force EN 1-4 (without guide rail and lever)	silver-coloured	028348
TS 3000 EN3 door closer closing force EN3 (without guide rail and lever)	silver-coloured	102247
TS 3000 V BC door closer closing force EN 1-4, with back check (without guide rail and lever)	silver-coloured	109326
Guide rail TS 5000/TS 3000 standard, with lever	silver-coloured	068221
ACCESSORIES		
Mechanical hold-open unit for standard/T-Stop/Boxer 20.7 mm guide rail, retention force adjustable, can be switched on and off, can be overridden		071924
Mounting plate guide rail for standard/ECline/T-Stop/EFS guide rail	silver-coloured	001512
Mounting plate door closer for TS 3000 with hole pattern according to DIN EN 1154 supplementary sheet 1	silver-coloured	011230

→ **Note:** See our system catalogues for further accessories and colour variants.

TRANSOM INSTALLATION OPPOSITE HINGE SIDE

TS 3000 V transom installation/opposite hinge side



AREAS OF APPLICATION

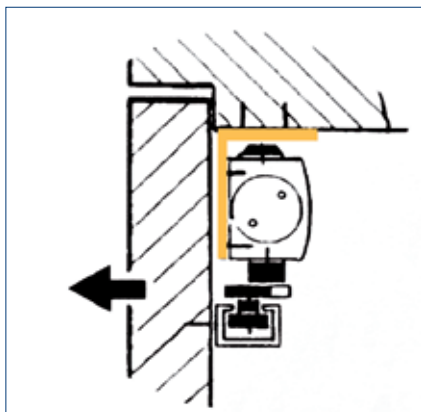
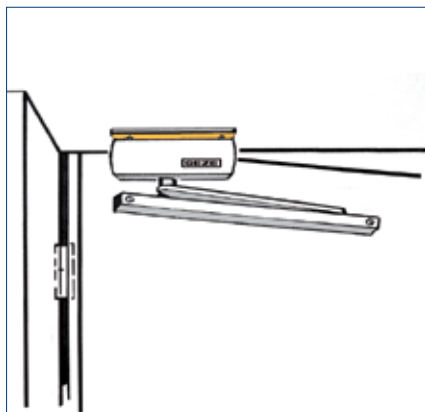
- Closing force 1- 4 according to EN 1154, leaf width up to 1100 mm
- Can be used for right and left hand doors without conversion
- TS 3000 EN3 for leaf widths up to 950 mm
- Fire and smoke protection doors

ORDER INFORMATION

Designation	Version	ID no.
TS 3000 V door closer closing force EN 1-4 (without guide rail and lever)	silver-coloured	028348
TS 3000 EN3 door closer closing force EN3 (without guide rail and lever)	silver-coloured	102247
TS 3000 V BC door closer closing force EN 1-4, with back check (without guide rail and lever)	silver-coloured	109326
Guide rail TS 5000/TS 3000 standard, with lever	silver-coloured	068221
Guide rail TS 5000/3000 riveted firmly riveted sliding block, with lever	silver-coloured	069650
ACCESSORIES		
Mechanical hold-open unit for standard/T-Stop/Boxer 20.7 mm guide rail, retention force adjustable, can be switched on and off, can be overridden		071924
Mounting plate guide rail for standard/Ecline/T-Stop/EFS guide rail	silver-coloured	001512
Mounting plate door closer for TS 3000 with hole pattern according to DIN EN 1154 supplementary sheet 1	silver-coloured	011230

TRANSOM INSTALLATION OPPOSITE HINGE SIDE WITH LINTEL CASING BRACKET

TS 3000 V transom installation/opposite hinge side lintel casing bracket



AREAS OF APPLICATION

- Closing force 1- 4 according to EN 1154, leaf width up to 1100 mm
- Can be used for right and left hand doors without conversion
- TS 3000 EN3 for leaf widths up to 950 mm
- Note for rescue routes, restriction of passage height by approx. 100 mm
- Fire and smoke protection doors

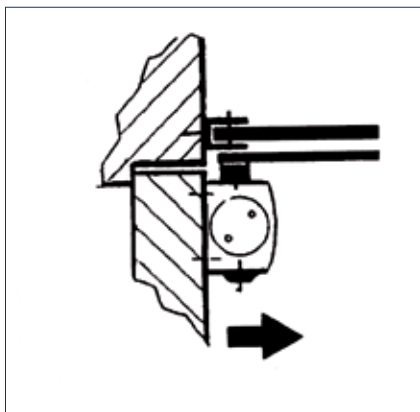
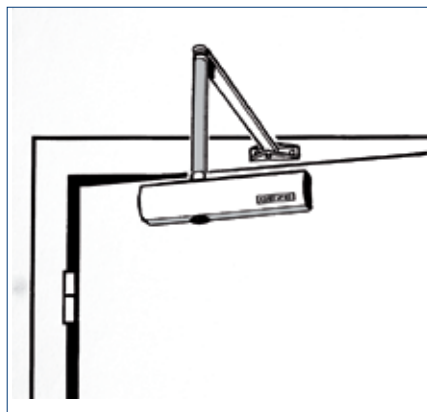
ORDER INFORMATION

Designation	Version	ID no.
TS 3000 V door closer closing force EN 1-4 (without guide rail and lever)	silver-coloured	028348
TS 3000 EN3 door closer closing force EN3 (without guide rail and lever)	silver-coloured	102247
TS 3000 V BC door closer closing force EN 1-4, with back check (without guide rail and lever)	silver-coloured	109326
Guide rail TS 5000/TS 3000 standard, with lever	silver-coloured	068221
Guide rail TS 5000/3000 riveted firmly riveted sliding block, with lever	silver-coloured	069650
ACCESSORIES		
Mechanical hold-open unit for standard/T-Stop/Boxer 20.7 mm guide rail, retention force adjustable, can be switched on and off, can be overridden		071924
Mounting plate guide rail for standard/ECline/T-Stop/EFS guide rail	silver-coloured	001512
Lintel casing bracket transom installation BG for TS 2000 NV/TS 3000 V	silver-coloured	127432

→ **Note:** See our system catalogues for further accessories and colour variants.

DOOR LEAF INSTALLATION HINGE SIDE

TS 4000 door leaf installation/hinge side



AREAS OF APPLICATION

- Closing force 1- 6 according to EN 1154, leaf width up to 1400 mm
- Can be used for right and left hand doors without conversion
- Fire and smoke protection doors
- TS 4000 EN 5-7 for leaf widths up to 1600 mm
- A manual trigger switch is mandatory for free swing door closers in Germany.

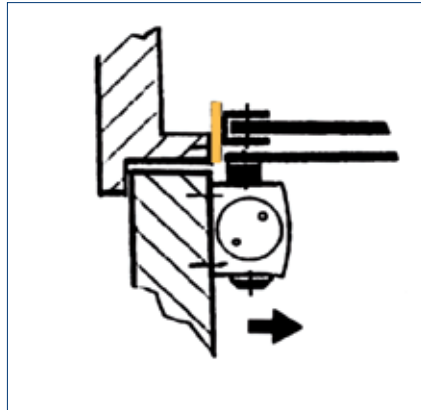
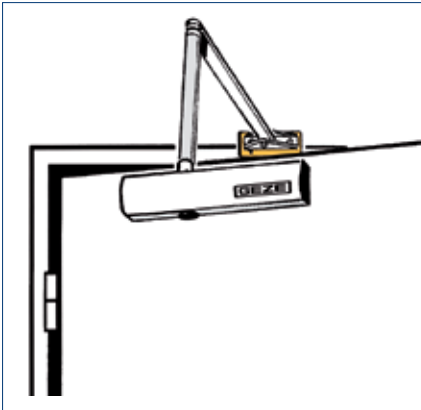
ORDER INFORMATION

Designation	Version	ID no.
TS 4000 door closer closing force EN 1-6 with back check (without link arm)	silver-coloured	102789
TS 4000 S door closer closing force EN 1-6 with delayed closing and back check (without link arm)	silver-coloured	107745
TS 4000 door closer closing force EN 5-7 with back check (without link arm)	silver-coloured	102837
TS 4000 E door closer closing force EN 1-6, door leaf installation hinge side, with electric hold-open device and connector box (without link arm)	silver-coloured	105211
TS 4000 EFS door closer closing force EN 1-6, door leaf installation hinge side, with electric hold-open device for free swing function and connector box (without free swing link arm)	silver-coloured	105211
Link arm TS 4000/2000 standard	silver-coloured	102421
Link arm TS 4000/2000 with mechanical hold-open device that can be switched on and off	silver-coloured	102445
Link arm TS 4000/2000 with mechanical hold-open device	silver-coloured	102454
Link arm TS 4000 EFS/RFS with free swing function/free swing	silver-coloured	106460
ACCESSORIES		
Mounting plate door closer for TS 5000/TS 4000 with hole pattern according to DIN EN 1154 supplementary sheet 1	silver-coloured	049185
Mounting plate door closer for TS 5000 EFS/RFS/E-HY/TS 4000 E with hole pattern according to DIN EN 1154 supplementary sheet 1	silver-coloured	059107
AS 500 manual trigger switch for the manual release of electrically controlled hold-open devices including terminating resistor for line monitoring	alpine white/red	116266

→ **Note:** See our system catalogues for further accessories and colour variants.

DOOR LEAF INSTALLATION HINGE SIDE WITH MOUNTING PLATE FOR LINK ARM WITH SLIM FRAMES

TS 4000 door leaf installation/hinge side mounting plate slim frame



AREAS OF APPLICATION

- Closing force 1-6 according to EN 1154, leaf width up to 1400 mm
- Can be used for right and left hand doors without conversion
- Fire and smoke protection doors
- TS 4000 EN 5-7 for leaf widths up to 1600 mm
- A manual trigger switch is mandatory for free swing door closers in Germany.

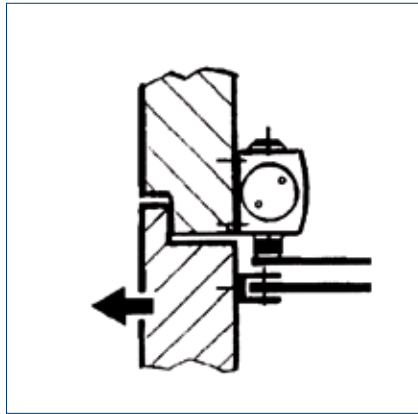
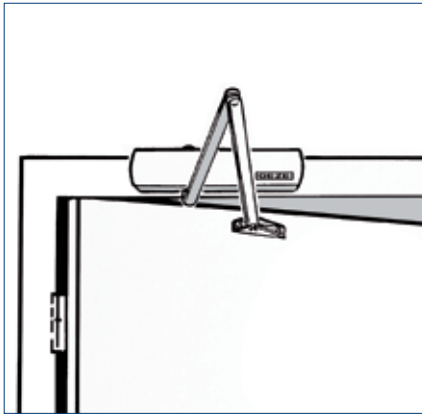
ORDER INFORMATION

Designation	Version	ID no.
TS 4000 door closer closing force EN 1-6 with back check (without link arm)	silver-coloured	102789
TS 4000 S door closer closing force EN 1-6 with delayed closing and back check (without link arm)	silver-coloured	107745
TS 4000 door closer closing force EN 5-7 with back check (without link arm)	silver-coloured	102837
TS 4000 E door closer closing force EN 1-6, door leaf installation hinge side, with electric hold-open device and connector box (without link arm)	silver-coloured	105211
TS 4000 EFS door closer closing force EN 1-6, door leaf installation hinge side, with electric hold-open device for free swing function and connector box (without free swing link arm)	silver-coloured	105211
Link arm TS 4000/2000 standard	silver-coloured	102421
Link arm TS 4000/2000 with mechanical hold-open device that can be switched on and off	silver-coloured	102445
Link arm TS 4000/2000 with mechanical hold-open device	silver-coloured	102454
Link arm TS 4000 EFS/RFS with free swing function/free swing	silver-coloured	106460
ACCESSORIES		
Mounting plate link arm for TS 4000/TS 2000, with slim frames	silver-coloured	057109
Mounting plate door closer for TS 5000/TS 4000 with hole pattern according to DIN EN 1154 supplementary sheet 1	silver-coloured	049185
Mounting plate door closer for TS 5000 EFS/RFS/E-HY/TS 4000 E with hole pattern according to DIN EN 1154 supplementary sheet 1	silver-coloured	059107
AS 500 manual trigger switch for the manual release of electrically controlled hold-open devices including terminating resistor for line monitoring	alpine white/red	116266

→ **Note:** See our system catalogues for further accessories and colour variants.

TRANSOM INSTALLATION OPPOSITE HINGE SIDE

TS 4000 transom installation/opposite hinge side



AREAS OF APPLICATION

- Closing force 1-6 according to EN 1154, leaf width up to 1400 mm
- Can be used for right and left hand doors without conversion
- TS 4000 EN 5-7 for leaf widths up to 1600 mm
- A manual trigger switch is mandatory for free swing door closers in Germany.
- Fire and smoke protection doors

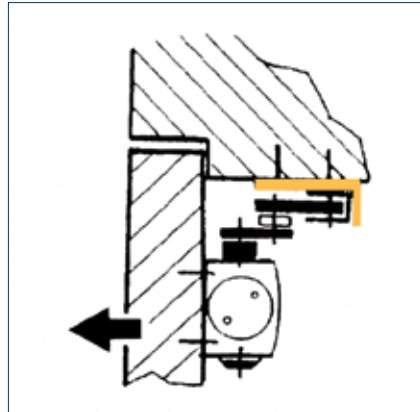
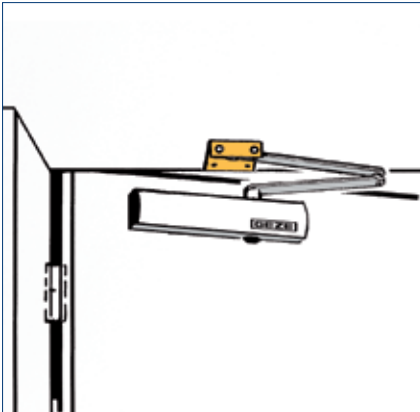
ORDER INFORMATION

Designation	Version	ID no.
TS 4000 door closer closing force EN 1-6 with back check (without link arm)	silver-coloured	102789
TS 4000 door closer closing force EN 5-7 with back check (without link arm)	silver-coloured	102837
TS 4000 E KM BG door closer closing force EN 1-6, transom installation opposite hinge side, with electric hold-open device (without link arm)	silver-coloured	105213
TS 4000 EFS KM BG door closer closing force EN 1-6, transom installation opposite hinge side, with electric hold-open device for free swing function (without free swing link arm)	silver-coloured	105213
TS 4000 R KM BG door closer closing force EN 1-6, transom installation opposite hinge side, with electric hold-open device and integrated smoke switch control unit (without link arm)	silver-coloured	105241
TS 4000 RFS KM BG door closer closing force EN 1-6, transom installation opposite hinge side, with electric hold-open device for free swing function and integrated smoke switch control unit (without free swing link arm)	silver-coloured	105241
Link arm TS 4000/2000 standard	silver-coloured	102421
Link arm TS 4000/2000 with mechanical hold-open device that can be switched on and off	silver-coloured	102445
Link arm TS 4000/2000 with mechanical hold-open device	silver-coloured	102454
Link arm TS 4000 EFS/RFS with free swing function/free swing	silver-coloured	106460
ACCESSORIES		
Mounting plate door closer for TS 5000/TS 4000 with hole pattern according to DIN EN 1154 supplementary sheet 1	silver-coloured	049185
Mounting plate door closer for TS 5000 EFS/RFS/E-HY/TS 4000 E with hole pattern according to DIN EN 1154 supplementary sheet 1	silver-coloured	059107
Mounting plate door closer for TS 5000 RFS KM/TS 4000 R and R-IS with hole pattern according to DIN EN 1154 supplementary sheet 1	black	058808
AS 500 manual trigger switch for the manual release of electrically controlled hold-open devices including terminating resistor for line monitoring	alpine white/red	116266

→ **Note:** See our system catalogues for further accessories and colour variants.

DOOR LEAF INSTALLATION OPPOSITE HINGE SIDE WITH PA BRACKET FOR PARALLEL ARM INSTALLATION

TS 4000 door leaf installation/opposite hinge side parallel arm installation



AREAS OF APPLICATION

- Closing force 1- 6 according to EN 1154, leaf width up to 1400 mm
- Can be used for right and left hand doors without conversion
- TS 4000 EN 5-7 for leaf widths up to 1600 mm
- Note for rescue routes, restriction of passage height by approx. 30 mm
- Fire and smoke protection doors

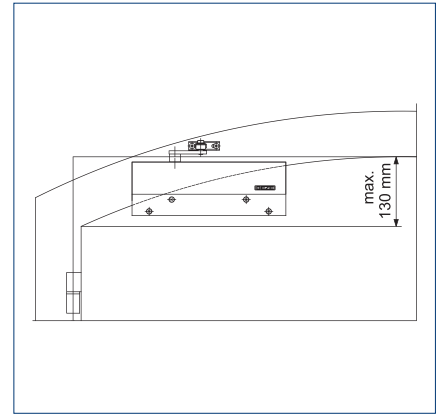
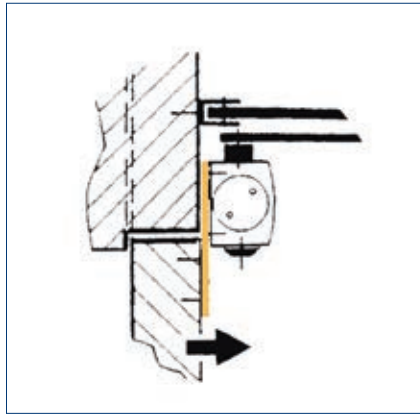
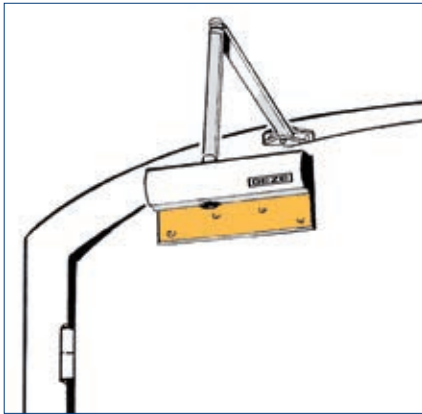
ORDER INFORMATION

Designation	Version	ID no.
TS 4000 door closer closing force EN 1-6 with back check (without link arm)	silver-coloured	102789
TS 4000 S door closer closing force EN 1-6 with delayed closing and back check (without link arm)	silver-coloured	107745
TS 4000 door closer closing force EN 5-7 with back check (without link arm)	silver-coloured	102837
Link arm TS 4000/2000 standard	silver-coloured	102421
Link arm TS 4000/2000 with mechanical hold-open device that can be switched on and off	silver-coloured	102445
Link arm TS 4000/2000 with mechanical hold-open device	silver-coloured	102454
ACCESSORIES		
Mounting plate link arm for TS 4000/TS 2000, for parallel arm installation	silver-coloured	053318
Mounting plate door closer for TS 5000/TS 4000 with hole pattern according to DIN EN 1154 supplementary sheet 1	silver-coloured	049185

→ **Note:** See our system catalogues for further accessories and colour variants.

DOOR LEAF INSTALLATION HINGE SIDE WITH MOUNTING PLATE FOR SEGMENTAL ARCHED DOOR

TS 4000 door leaf installation/hinge side segmental arch



AREAS OF APPLICATION

- Closing force 1- 6 according to EN 1154, leaf width up to 1400 mm
- Can be used for right and left hand doors without conversion
- TS 4000 EN 5-7 for leaf widths up to 1600 mm
- Semicircular/segmental arched doors, max. arch height approx. 130 mm
- Fire and smoke protection doors

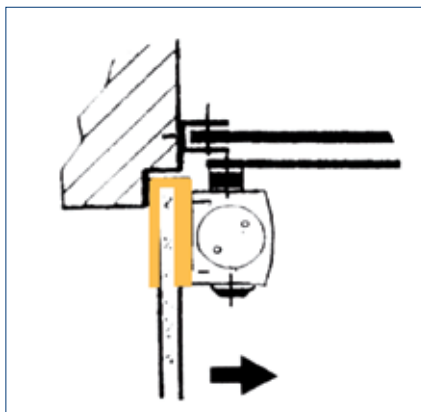
ORDER INFORMATION

Designation	Version	ID no.
TS 4000 door closer closing force EN 1-6 with back check (without link arm)	silver-coloured	102789
TS 4000 S door closer closing force EN 1-6 with delayed closing and back check (without link arm)	silver-coloured	107745
TS 4000 door closer closing force EN 5-7 with back check (without link arm)	silver-coloured	102837
Link arm TS 4000/2000 standard	silver-coloured	102421
Link arm TS 4000/2000 with mechanical hold-open device that can be switched on and off	silver-coloured	102445
Link arm TS 4000/2000 with mechanical hold-open device	silver-coloured	102454
ACCESSORIES		
Mounting plate segmental arched door for TS 4000, arch height max. 130 mm	silver-coloured	058782

→ **Note:** See our system catalogues for further accessories and colour variants.

DOOR LEAF INSTALLATION HINGE SIDE WITH CLAMPING SHOE FOR ALL-GLASS DOOR

TS 4000 door leaf installation/hinge side clamping shoe glass



AREAS OF APPLICATION

- Closing force 1- 6 according to EN 1154, leaf width up to 1400 mm
- Can be used for right and left hand doors without conversion
- TS 4000 EN 5-7 for leaf widths up to 1600 mm
- Clamping shoe, glass thickness 8-10 mm

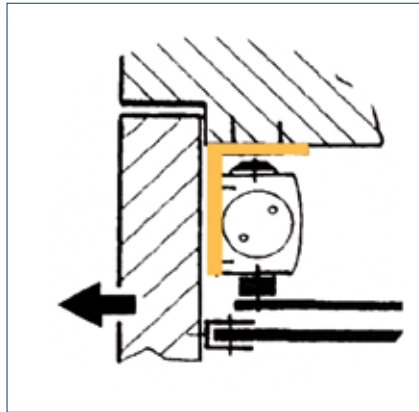
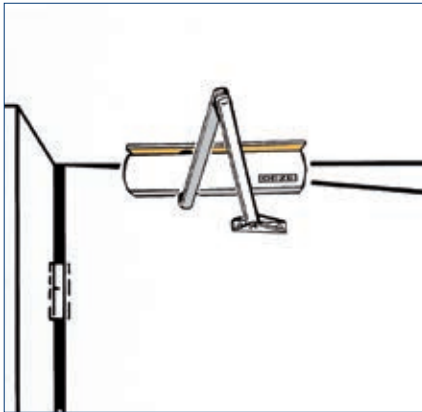
ORDER INFORMATION

Designation	Version	ID no.
TS 4000 door closer closing force EN 1-6 with back check (without link arm)	silver-coloured	102789
TS 4000 S door closer closing force EN 1-6 with delayed closing and back check (without link arm)	silver-coloured	107745
TS 4000 door closer closing force EN 5-7 with back check (without link arm)	silver-coloured	102837
Link arm TS 4000/2000 standard	silver-coloured	102421
Link arm TS 4000/2000 with mechanical hold-open device that can be switched on and off	silver-coloured	102445
Link arm TS 4000/2000 with mechanical hold-open device	silver-coloured	102454
ACCESSORIES		
Glass clamping shoe door closer for TS 5000/TS 4000	silver-coloured	057126

→ **Note:** See our system catalogues for further accessories and colour variants.

TRANSOM INSTALLATION OPPOSITE HINGE SIDE WITH LINTEL CASING BRACKET

TS 4000 transom installation/opposite hinge side lintel casing bracket



AREAS OF APPLICATION

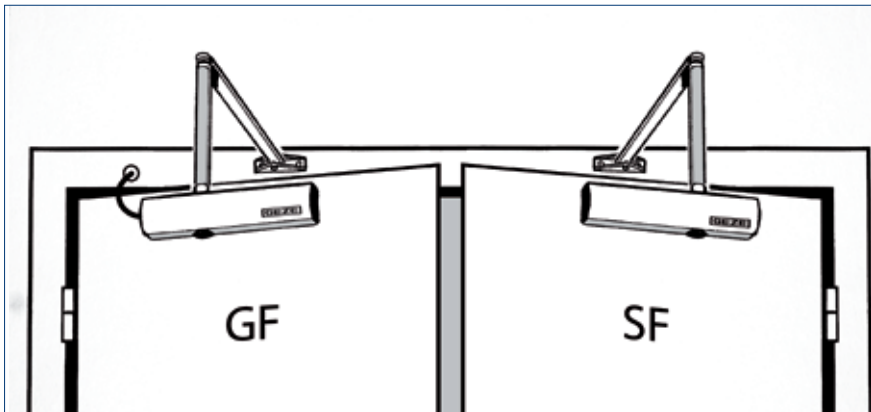
- Closing force 1- 6 according to EN 1154, leaf width up to 1400 mm
- Can be used for right and left hand doors without conversion
- TS 4000 EN 5-7 for leaf widths up to 1600 mm
- Note for rescue routes, restriction of passage height by approx. 100 mm
- Fire and smoke protection doors

ORDER INFORMATION

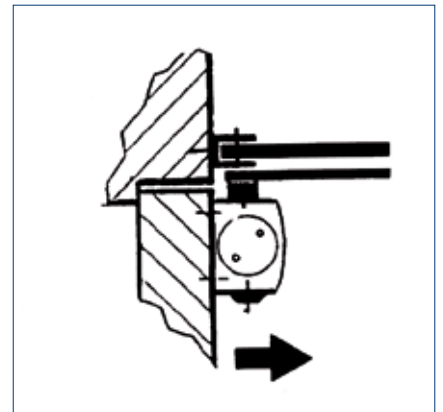
Designation	Version	ID no.
TS 4000 door closer closing force EN 1-6 with back check (without link arm)	silver-coloured	102789
TS 4000 S door closer closing force EN 1-6 with delayed closing and back check (without link arm)	silver-coloured	107745
TS 4000 door closer closing force EN 5-7 with back check (without link arm)	silver-coloured	102837
Link arm TS 4000/2000 standard	silver-coloured	102421
Link arm TS 4000/2000 with mechanical hold-open device that can be switched on and off	silver-coloured	102445
Link arm TS 4000/2000 with mechanical hold-open device	silver-coloured	102454
ACCESSORIES		
Lintel casing bracket transom installation BG for TS 5000/TS 4000	silver-coloured	049240

DOOR LEAF INSTALLATION HINGE SIDE, 2-LEAF

TS 4000 door leaf installation/hinge side, 2-leaf



GF = Active leaf | SF = Passive leaf



AREAS OF APPLICATION

- Closing force 1–6 according to EN 1154, leaf width up to 1400 mm
- Can be used for right and left hand doors without conversion
- Fire and smoke protection doors

ORDER INFORMATION

Designation	Hinge clearance	Version	ID no.
TS 4000 IS door closer closing force EN 1-6 with integrated closing sequence control (without release mechanism and link arm)		silver-coloured	102798
TS 4000 E-IS door closer closing force EN 1-6, door leaf installation hinge side, with electric hold-open device, connector box, integrated closing sequence control and mounting plate (without release mechanism and link arm)		silver-coloured	105237
Link arm TS 4000/2000 standard		silver-coloured	102421
Link arm TS 4000/2000 with mechanical hold-open device that can be switched on and off		silver-coloured	102445
Link arm TS 4000/2000 with mechanical hold-open device		silver-coloured	102454

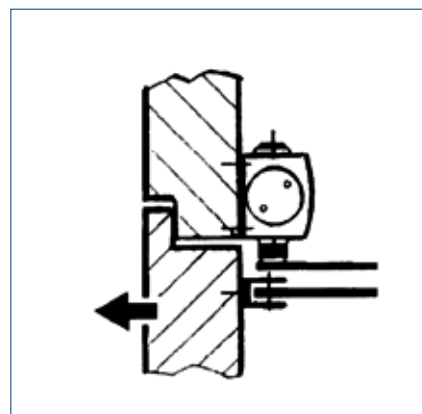
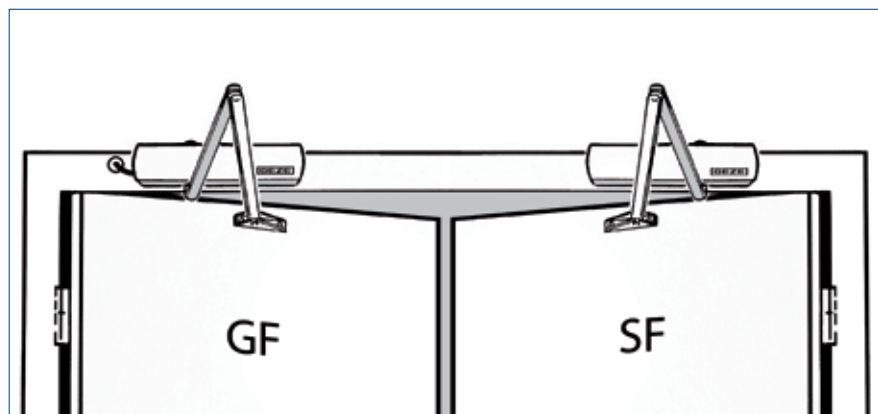
ACCESSORIES

Release mechanism closing sequence control for TS 4000 IS/E-IS/R-IS	1200 – 1500 mm	058306
	1500 – 1800 mm	058307
	1800 – 2100 mm	058308
	2100 – 2400 mm	058309
	2400 – 2700 mm	058310
Mounting plate door closer for TS 5000/TS 4000 with hole pattern according to DIN EN 1154 supplementary sheet 1	> 2700 mm	058311
		silver-coloured 049185

→ **Note:** See our system catalogues for further accessories and colour variants.

TRANSOM INSTALLATION OPPOSITE HINGE SIDE, 2-LEAF

TS 4000 transom installation/opposite hinge side, 2-leaf



GF = Active leaf | SF = Passive leaf

AREAS OF APPLICATION

- Closing force 1- 6 according to EN 1154, leaf width up to 1400 mm
- Can be used for right and left hand doors without conversion
- Fire and smoke protection doors

ORDER INFORMATION

Designation	Hinge clearance	Version	ID no.
TS 4000 IS door closer closing force EN 1-6 with integrated closing sequence control (without release mechanism and link arm)		silver-coloured	102798
TS 4000 E-IS KM BG door closer closing force EN 1-6, transom installation opposite hinge side, with electric hold-open device, integrated closing sequence control and mounting plate (without link arm and connector box)		silver-coloured	105239
TS 4000 R-IS KM BG door closer closing force EN 1-6, transom installation opposite hinge side, with integrated closing sequence control, electric hold-open device and smoke switch control unit (without link arm and release mechanism)		silver-coloured	105244
Link arm TS 4000/2000 standard		silver-coloured	102421
Link arm TS 4000/2000 with mechanical hold-open device that can be switched on and off		silver-coloured	102445
Link arm TS 4000/2000 with mechanical hold-open device		silver-coloured	102454

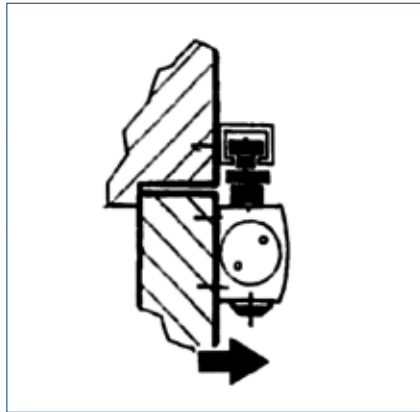
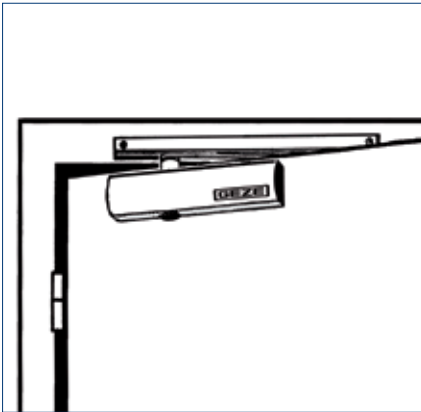
ACCESSORIES

	1200 - 1500 mm	058306
	1500 - 1800 mm	058307
Release mechanism closing sequence control for TS 4000 IS/E-IS/R-IS	1800 - 2100 mm	058308
	2100 - 2400 mm	058309
	2400 - 2700 mm	058310
	> 2700 mm	058311
Mounting plate door closer for TS 5000/TS 4000 with hole pattern according to DIN EN 1154 supplementary sheet 1		silver-coloured 049185

→ **Note:** See our system catalogues for further accessories and colour variants.

DOOR LEAF INSTALLATION HINGE SIDE

TS 5000 door leaf installation/hinge side



AREAS OF APPLICATION

- Closing force 2– 6 according to EN 1154, leaf width up to 1400 mm
- Can be used for right and left hand doors without conversion
- Fire and smoke protection doors
- TS 5000 EFS/RFS for leaf widths up to 1400 mm with closing force 3–6 according to EN 1154
- A manual trigger switch is mandatory for free swing door closers in Germany.

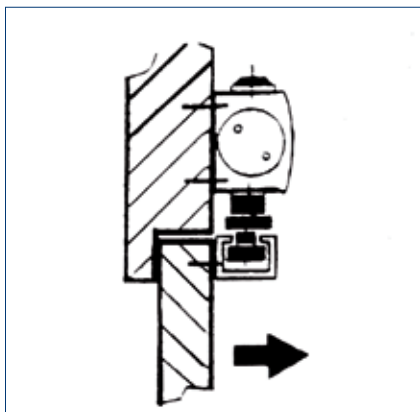
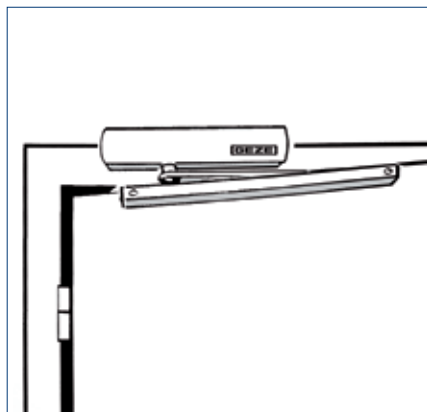
ORDER INFORMATION

Designation	Version	ID no.
TS 5000 S door closer closing force EN 2–6, with delayed closing and back check (without guide rail and lever)	silver-coloured	107935
TS 5000 door closer closing force EN 2–6, with back check (without guide rail and lever)	silver-coloured	027333
TS 5000 EClime door closer closing force EN 3–5, with back check (without guide rail and lever)	silver-coloured	143640
TS 5000 EFS complete package door leaf installation closing force EN 3–6, door leaf installation on the hinge side, with electric free swing function, with guide rail and lever with comfort hold–open device	silver-coloured	155477
TS 5000 RFS complete package door leaf installation closing force EN 3–6, transom installation on the hinge side, with electric free swing function, integrated smoke control switch unit, with guide rail and lever with comfort hold–open device	silver-coloured	155481
TS 5000 SoftClose door closer closing force EN 2–6, with back check and integrated latching action speed with variable adjustment, for door deceleration (without guide rail and lever)	silver-coloured	181792
Guide rail TS 5000/TS 3000 standard, with lever	silver-coloured	068221
T–Stop–guide rail TS 3/5000 with integrated opening restrictor and lever	silver-coloured	102363
Guide rail TS 5000 EClime for use with TS 5000 EClime door closer, with integrated opening assistance for easy opening, with lever	silver-coloured	143572
E guide rail TS 5000 with electric hold–open device and lever	silver-coloured	116295
R guide rail TS 5000 with electric hold–open device, integrated smoke switch control unit and lever	silver-coloured	116300
R guide rail TS 5000 with integrated smoke switch control unit and lever, without electrical hold–open device	silver-coloured	167813
ACCESSORIES		
Mechanical hold–open unit for standard/T–Stop/Boxer 20.7 mm guide rail, retention force adjustable, can be switched on and off, can be overridden		071924
Mounting plate guide rail for standard/EClime/T–Stop/EFS guide rail	silver-coloured	001512
Mounting plate guide rail for E guide rail	silver-coloured	123294
Mounting plate guide rail for R/RFS guide rail	silver-coloured	123296
Mounting plate door closer for TS 5000/TS 4000 with hole pattern according to DIN EN 1154 supplementary sheet 1	silver-coloured	049185
Mounting plate door closer for TS 5000 EFS/RFS/E–HY/TS 4000 E with hole pattern according to DIN EN 1154 supplementary sheet 1	silver-coloured	059107
AS 500 manual trigger switch for the manual release of electrically controlled hold–open devices including terminating resistor for line monitoring	alpine white/red	116266

→ **Note:** See our system catalogues for further accessories and colour variants.

TRANSOM INSTALLATION HINGE SIDE

TS 5000 transom installation/hinge side



AREAS OF APPLICATION

- Closing force 3-6 according to EN 1154, leaf width up to 1400 mm
- Can be used for right and left hand doors without conversion
- Fire and smoke protection doors
- A manual trigger switch is mandatory for free swing door closers in Germany.

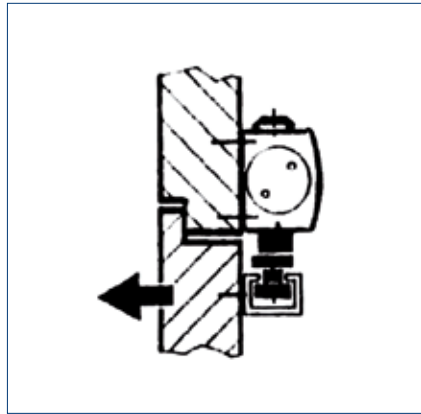
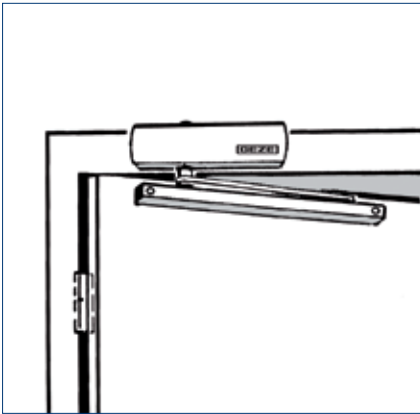
ORDER INFORMATION

Designation	Version	ID no.
TS 5000 EFS complete package transom installation closing force EN 3-6, transom installation on the hinge side, with electric free swing function, with guide rail and lever with comfort hold-open device	silver-coloured	155479
TS 5000 RFS complete package transom installation closing force EN 3-6, transom installation on the hinge side, with electric free swing function, integrated smoke switch control unit, with guide rail and lever with comfort hold-open device	silver-coloured	155484
ACCESSORIES		
Mounting plate guide rail for standard/Ecline/T-Stop/EFS guide rail	silver-coloured	001512
Mounting plate door closer for TS 5000 EFS/RFS/E-HY/TS 4000 E with hole pattern according to DIN EN 1154 supplementary sheet 1	silver-coloured	059107
AS 500 manual trigger switch for the manual release of electrically controlled hold-open devices including terminating resistor for line monitoring	alpine white/red	116266

→ **Note:** See our system catalogues for further accessories and colour variants.

TRANSOM INSTALLATION OPPOSITE HINGE SIDE

TS 5000 transom installation/opposite hinge side



AREAS OF APPLICATION

- Closing force 2- 6 according to EN 1154, leaf width up to 1400 mm
- Can be used for right and left hand doors without conversion
- Fire and smoke protection doors
- Delayed closing action range TS 5000 S depending on the door construction

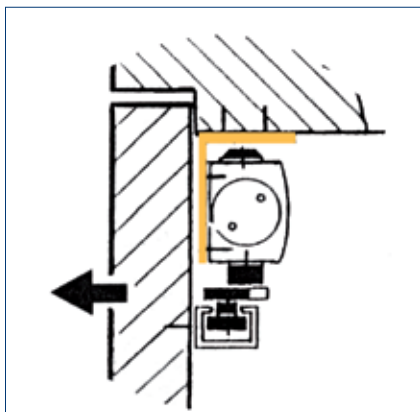
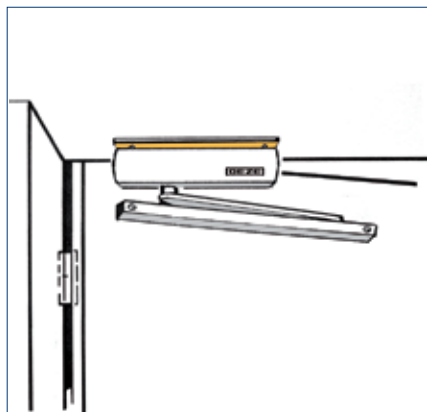
ORDER INFORMATION

Designation	Version	ID no.
TS 5000 door closer closing force EN 2-6, with back check (without guide rail and lever)	silver-coloured	027333
TS 5000 Ecline door closer closing force EN 3-5, with back check (without guide rail and lever)	silver-coloured	143640
TS 5000 S door closer closing force EN 2-6, with delayed closing and back check (without guide rail and lever)	silver-coloured	107935
TS 5000 SoftClose door closer closing force EN 2-6, with back check and integrated latching action speed with variable adjustment, for door deceleration (without guide rail and lever)	silver-coloured	181792
Guide rail TS 5000/TS 3000 standard, with lever	silver-coloured	068221
T-Stop-guide rail TS 3/5000 with integrated opening restrictor and lever	silver-coloured	102363
Guide rail TS 5000/3000 riveted firmly riveted sliding block, with lever	silver-coloured	069650
Ecline guide rail TS 5000 for use with TS 5000 Ecline door closer, with integrated opening assistance for easy opening, with lever	silver-coloured	143572
ACCESSORIES		
Flexible opening restrictor for lightweight doors for riveted guide rail, standard guide rail BG, standard guide rail and Boxer 20.7 mm guide rail		069780
Mechanical hold-open unit for standard/T-Stop/Boxer 20.7 mm guide rail, retention force adjustable, can be switched on and off, can be overridden		071924
Mounting plate guide rail for standard/Ecline/T-Stop/EFS guide rail	silver-coloured	001512
Mounting plate door closer for TS 5000/TS 4000 with hole pattern according to DIN EN 1154 supplementary sheet 1	silver-coloured	049185

→ **Note:** See our system catalogues for further accessories and colour variants.

TRANSOM INSTALLATION OPPOSITE HINGE SIDE WITH LINTEL CASING BRACKET

TS 5000 transom installation/opposite hinge side lintel casing bracket



AREAS OF APPLICATION

- Closing force 2-6 according to EN 1154, leaf width up to 1400 mm
- Can be used for right and left hand doors without conversion
- Note for rescue routes, restriction of passage height by approx. 100 mm
- Fire and smoke protection doors
- Delayed closing action range TS 5000 S depending on the door design

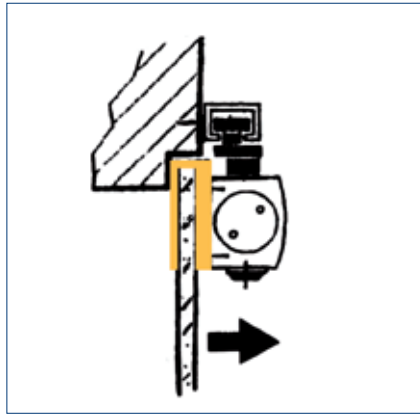
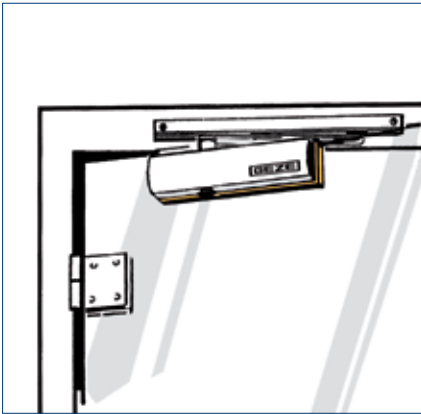
ORDER INFORMATION

Designation	Version	ID no.
TS 5000 door closer closing force EN 2-6, with back check (without guide rail and lever)	silver-coloured	027333
TS 5000 Ecline door closer closing force EN 3-5, with back check (without guide rail and lever)	silver-coloured	143640
TS 5000 S door closer closing force EN 2-6, with delayed closing and back check (without guide rail and lever)	silver-coloured	107935
TS 5000 SoftClose door closer closing force EN 2-6, with back check and integrated latching action speed with variable adjustment, for door deceleration (without guide rail and lever)	silver-coloured	181792
Guide rail TS 5000/TS 3000 standard, with lever	silver-coloured	068221
T-Stop-guide rail TS 3/5000 with integrated opening restrictor and lever	silver-coloured	102363
Guide rail TS 5000/3000 riveted firmly riveted sliding block, with lever	silver-coloured	069650
Ecline guide rail TS 5000 for use with TS 5000 Ecline door closer, with integrated opening assistance for easy opening, with lever	silver-coloured	143572
ACCESSORIES		
Flexible opening restrictor for lightweight doors for riveted guide rail, standard guide rail BG, standard guide rail and Boxer 20.7 mm guide rail		069780
Mechanical hold-open unit for standard/T-Stop/Boxer 20.7 mm guide rail, retention force adjustable, can be switched on and off, can be overridden		071924
Mounting plate guide rail for standard/Ecline/T-Stop/EFS guide rail	silver-coloured	001512
Lintel casing bracket transom installation BG for TS 5000/TS 4000	silver-coloured	049240

→ **Note:** See our system catalogues for further accessories and colour variants.

DOOR LEAF INSTALLATION HINGE SIDE WITH CLAMPING SHOE FOR ALL-GLASS DOOR

TS 5000 door leaf installation/hinge side clamping shoes glass



AREAS OF APPLICATION

- Closing force 2-6 according to EN 1154, leaf width up to 1400 mm
- Can be used for right and left hand doors without conversion
- Clamping shoe, glass thickness 8-10 mm

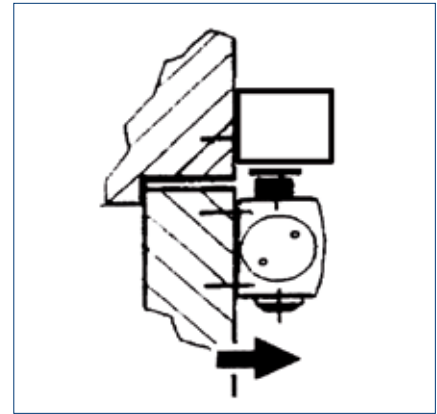
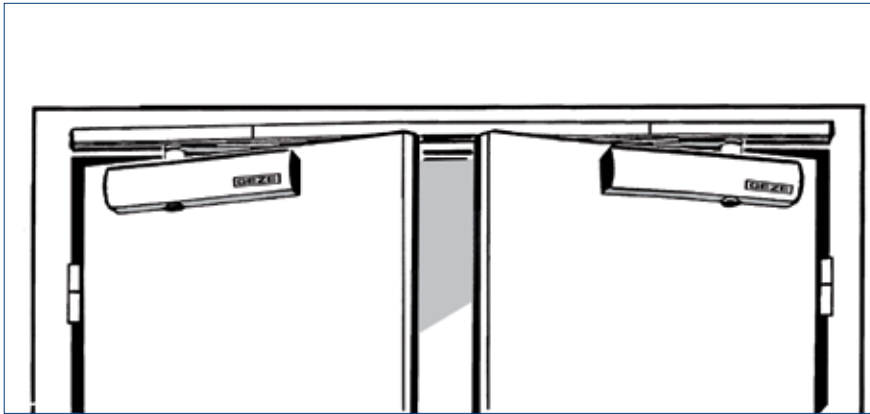
ORDER INFORMATION

Designation	Version	ID no.
TS 5000 door closer closing force EN 2-6, with back check (without guide rail and lever)	silver-coloured	027333
TS 5000 Ecline door closer closing force EN 3-5, with back check (without guide rail and lever)	silver-coloured	143640
TS 5000 S door closer closing force EN 2-6, with delayed closing and back check (without guide rail and lever)	silver-coloured	107935
TS 5000 SoftClose door closer closing force EN 2-6, with back check and integrated latching action speed with variable adjustment, for door deceleration (without guide rail and lever)	silver-coloured	181792
Guide rail TS 5000/TS 3000 standard, with lever	silver-coloured	068221
T-Stop-guide rail TS 3/5000 with integrated opening restrictor and lever	silver-coloured	102363
Ecline guide rail TS 5000 for use with TS 5000 Ecline door closer, with integrated opening assistance for easy opening, with lever	silver-coloured	143572
E guide rail TS 5000 with electric hold-open device and lever	silver-coloured	116295
ACCESSORIES		
Mechanical hold-open unit for standard/T-Stop/Boxer 20.7 mm guide rail, retention force adjustable, can be switched on and off, can be overridden		071924
Glass clamping shoe door closer for TS 5000/TS 4000	silver-coloured	057126
Mounting plate guide rail for E guide rail	silver-coloured	123294
Mounting plate guide rail for standard/Ecline/T-Stop/EFS guide rail	silver-coloured	001512

→ **Note:** See our system catalogues for further accessories and colour variants.

DOOR LEAF INSTALLATION HINGE SIDE, 2-LEAF

TS 5000 door leaf installation/hinge side, 2-leaf



AREAS OF APPLICATION

- Closing force 2-6 according to EN 1154, leaf width up to 1400 mm
- Can be used for right and left hand doors without conversion
- Fire and smoke protection doors
- A manual trigger switch is mandatory for free swing door closers in Germany.
- Different variants for hold-open combinations on active leaves and passive leaves or free swing function on active leaves (EN3-6) possible

ORDER INFORMATION

Designation	Version	ID no.
TS 5000 door closer closing force EN 2-6, with back check (without guide rail and lever)	silver-coloured	027333
TS 5000 S door closer closing force EN 2-6, with delayed closing and back check (without guide rail and lever)	silver-coloured	107935
TS 5000 EHy door closer closing force EN 2-5, door leaf installation on the hinge side, with electric hold-open device for free swing function (without guide rail and lever)	silver-coloured	155475
TS 5000 EClime door closer closing force EN 3-5, with back check (without guide rail and lever)	silver-coloured	143640
TS 5000 SoftClose door closer closing force EN 2-6, with back check and integrated latching action speed with variable adjustment, for door deceleration (without guide rail and lever)	silver-coloured	181792
ISM guide rail TS 5000 continuous, with integrated closing sequence control and levers	silver-coloured	115549
E-ISM guide rail TS 5000 continuous, with integrated closing sequence control, electric hold-open device on both leaves and levers	silver-coloured	115600
E-ISM/G guide rail TS 5000 continuous, with integrated closing sequence control, electric hold-open device on the active leaf and levers	silver-coloured	115605
E-ISM/S guide rail TS 5000 continuous, with integrated closing sequence control, electric hold-open device on the passive leaf and levers	silver-coloured	160547
R-ISM guide rail TS 5000 continuous, with integrated closing sequence control, electric hold-open device on both leaves, smoke switch control unit and levers	silver-coloured	115614
R-ISM/G guide rail TS 5000 continuous, with integrated closing sequence control, electric hold-open device on the active leaf, smoke switch control unit and levers	silver-coloured	115619
R-ISM/0 guide rail TS 5000 continuous, with integrated closing sequence control, smoke switch control unit and levers, without electric hold-open device	silver-coloured	160543
R-ISM/S guide rail TS 5000 continuous, with integrated closing sequence control, electric hold-open device on the passive leaf, smoke switch control unit and levers	silver-coloured	160545

→ **Note:** See our system catalogues for further accessories and colour variants.

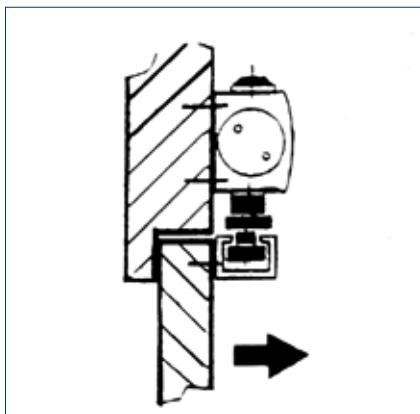
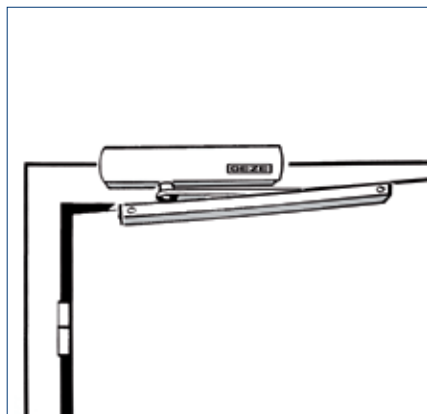
ORDER INFORMATION

Designation	Version	ID no.
ACCESSORIES		
Mechanical hold-open unit for ISM guide rail, retention force adjustable, can be overridden		118437
Mounting plate guide rail for ISM/E-ISM guide rail	silver-coloured	118702
Mounting plate guide rail for R-ISM guide rail	silver-coloured	118690
Mounting plate door closer for TS 5000/TS 4000 with hole pattern according to DIN EN 1154 supplementary sheet 1	silver-coloured	049185
Mounting plate door closer for TS 5000 EFS/RFS/E-HY/TS 4000 E with hole pattern according to DIN EN 1154 supplementary sheet 1	silver-coloured	059107
Retrofit kit ECline ISM/ISM BG	black	154767
AS 500 manual trigger switch for the manual release of electrically controlled hold-open devices including terminating resistor for line monitoring	alpine white/red	116266
Hold-open magnet, 24 V DC - 490 N retention force, approved for all GEZE smoke switch control units; surface-mounted wall installation or floor mounting with accessories base		155569
Magnetic counterplate for GEZE hold-open magnet Design with adjustable joint		115956

→ **Note:** See our system catalogues for further accessories and colour variants.

TRANSOM INSTALLATION HINGE SIDE

TS 5000 L transom installation/hinge side



AREAS OF APPLICATION

- Closing force 2- 6 according to EN 1154, leaf width up to 1400 mm
- Can be used for right and left hand doors without conversion
- Fire and smoke protection doors

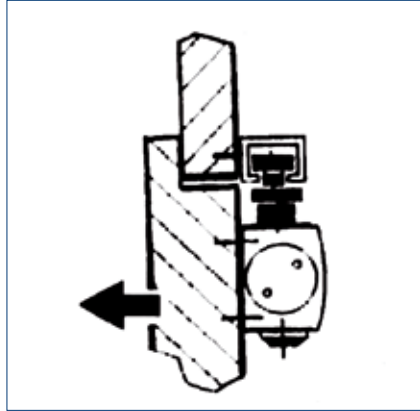
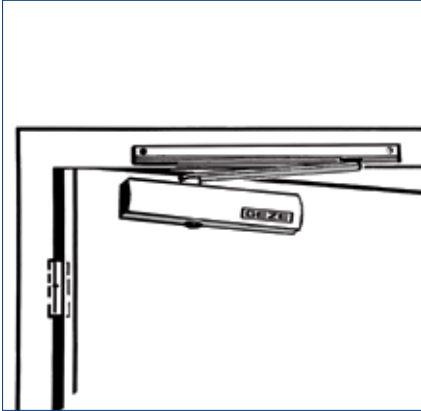
ORDER INFORMATION

Designation	Version	ID no.
TS 5000 L door closer closing force EN 2-6, with back check (without guide rail and lever)	silver-coloured	027351
TS 5000 L EClime door closer closing force EN 3-5, with back check (without guide rail and lever)	silver-coloured	143648
TS 5000 L SoftClose door closer closing force EN 3-6, with back check and integrated latching action speed with variable adjustment, for door deceleration (without guide rail and lever)	silver-coloured	191209
Guide rail TS 5000/TS 3000 standard, with lever	silver-coloured	068221
T-Stop-guide rail TS 3/5000 with integrated opening restrictor and lever	silver-coloured	102363
EClime guide rail TS 5000 for use with TS 5000 EClime door closer, with integrated opening assistance for easy opening, with lever	silver-coloured	143572
Mechanical hold-open unit for standard/T-Stop/Boxer 20.7 mm guide rail, retention force adjustable, can be switched on and off, can be overridden		071924
Mounting plate guide rail for standard/EClime/T-Stop/EFS guide rail	silver-coloured	001512
Mounting plate door closer for TS 5000/TS 4000 with hole pattern according to DIN EN 1154 supplementary sheet 1	silver-coloured	049185

→ **Note:** See our system catalogues for further accessories and colour variants.

DOOR LEAF INSTALLATION OPPOSITE HINGE SIDE

TS 5000 L door leaf installation/opposite hinge side



AREAS OF APPLICATION

- Closing force 2- 6 according to EN 1154, leaf width up to 1400 mm
- Can be used for right and left hand doors without conversion
- Fire and smoke protection doors

ORDER INFORMATION

Designation	Version	ID no.
TS 5000 L door closer closing force EN 2-6, with back check (without guide rail and lever)	silver-coloured	027351
TS 5000 L Ecline door closer closing force EN 3-5, with back check (without guide rail and lever)	silver-coloured	143648
TS 5000 L SoftClose door closer closing force EN 3-6, with back check and integrated latching action speed with variable adjustment, for door deceleration (without guide rail and lever)	silver-coloured	191209
BG TS 5000/TS 3000 guide rail standard, with lever, for use with door closer on door leaf installation opposite hinge side	silver-coloured	025655
T-Stop guide rail BG TS 3/5000 with integrated opening restrictor and lever, use with closer on leaf installation on the opposite hinge side or with pivot bearing in leaf and transom installation opposite hinge side	silver-coloured	102366
Ecline guide rail TS 5000 BG for use with TS 5000 L Ecline door closer for door leaf installation on the opposite hinge side, with integrated opening assistance for easy opening, with lever	silver-coloured	143578
E guide rail BG TS 5000 with electric hold-open device and lever	silver-coloured	120039
R guide rail BG TS 5000 with electric hold-open device, integrated smoke switch control unit and lever	silver-coloured	120073

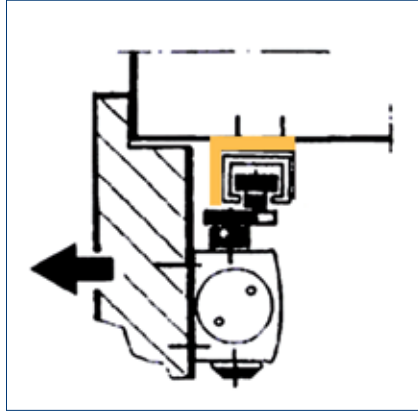
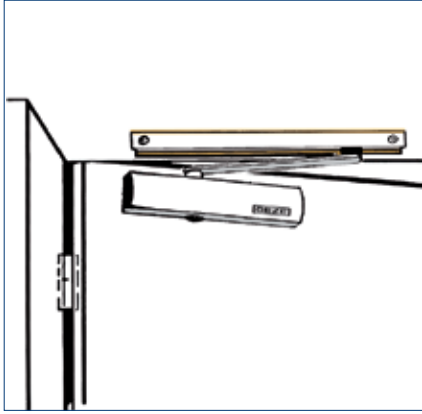
ACCESSORIES

Mechanical hold-open unit for standard/T-Stop/Boxer 20.7 mm guide rail, retention force adjustable, can be switched on and off, can be overridden		071924
Mounting plate guide rail BG for E guide rail	silver-coloured	123289
Mounting plate guide rail ISM for R guide rail	silver-coloured	123311
Mounting plate guide rail BG for standard/Ecline / T-Stop/EFS guide rail	silver-coloured	124683
Mounting plate door closer for TS 5000/TS 4000 with hole pattern according to DIN EN 1154 supplementary sheet 1	silver-coloured	049185

→ **Note:** See our system catalogues for further accessories and colour variants.

DOOR LEAF INSTALLATION OPPOSITE HINGE SIDE WITH LINTEL CASING BRACKET

TS 5000 L door leaf installation/opposite hinge side lintel casing bracket



AREAS OF APPLICATION

- Closing force 2- 6 according to EN 1154, leaf width up to 1400 mm
- Can be used for right and left hand doors without conversion
- Fire and smoke protection doors
- Note for rescue routes, restriction of passage height by approx. 40 mm

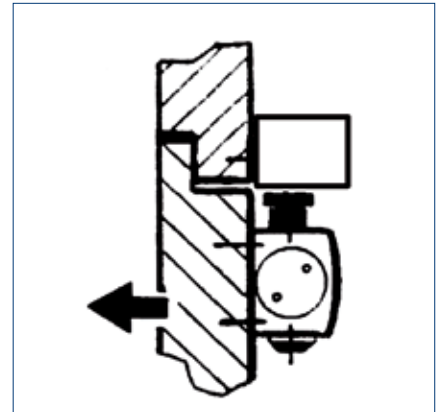
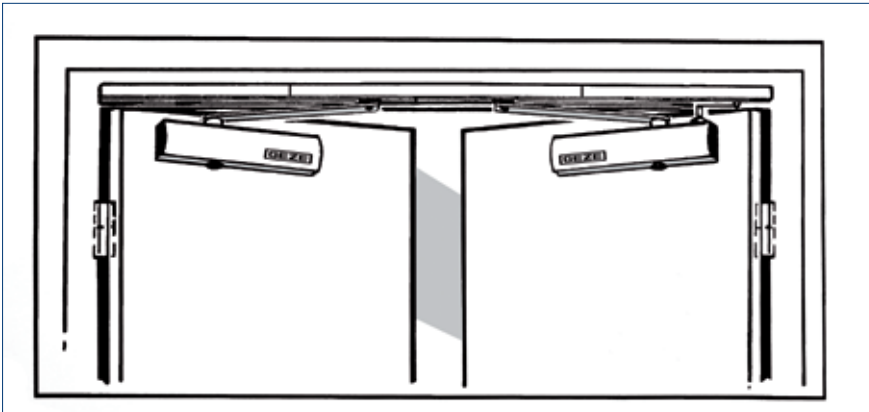
ORDER INFORMATION

Designation	Version	ID no.
TS 5000 L door closer closing force EN 2-6, with back check (without guide rail and lever)	silver-coloured	027351
TS 5000 L Ecline door closer closing force EN 3-5, with back check (without guide rail and lever)	silver-coloured	143648
TS 5000 L SoftClose door closer closing force EN 3-6, with back check and integrated latching action speed with variable adjustment, for door deceleration (without guide rail and lever)	silver-coloured	191209
BG TS 5000/TS 3000 guide rail standard, with lever, for use with door closer on door leaf installation opposite hinge side	silver-coloured	025655
T-Stop guide rail BG TS 3/5000 with integrated opening restrictor and lever, use with closer on leaf installation on the opposite hinge side or with pivot bearing in leaf and transom installation opposite hinge side	silver-coloured	102366
Ecline guide rail TS 5000 BG for use with TS 5000 L Ecline door closer for door leaf installation on the opposite hinge side, with integrated opening assistance for easy opening, with lever	silver-coloured	143578
E guide rail BG TS 5000 with electric hold-open device and lever	silver-coloured	120039
R guide rail BG TS 5000 with electric hold-open device, integrated smoke switch control unit and lever	silver-coloured	120073
ACCESSORIES		
Mechanical hold-open unit for standard/T-Stop/Boxer 20.7 mm guide rail, retention force adjustable, can be switched on and off, can be overridden		071924
Mounting plate door closer for TS 5000/TS 4000 with hole pattern according to DIN EN 1154 supplementary sheet 1	silver-coloured	049185
Lintel casing bracket guide rail BG for Ecline and T-Stop guide rail	silver-coloured	115006
Lintel casing bracket guide rail BG for standard guide rail	silver-coloured	025657
Lintel casing bracket guide rail BG for E guide rail	silver-coloured	123322
Lintel casing bracket guide rail ISM for R guide rail	silver-coloured	123324

→ **Note:** See our system catalogues for further accessories and colour variants.

DOOR LEAF INSTALLATION OPPOSITE HINGE SIDE, 2-LEAF

TS 5000 L door leaf installation/opposite hinge side



AREAS OF APPLICATION

- Closing force 2- 6 according to EN 1154, leaf width up to 1400 mm
- Can be used for right and left hand doors without conversion
- Fire and smoke protection doors

ORDER INFORMATION

Designation	Version	ID no.
TS 5000 L door closer closing force EN 2-6, with back check (without guide rail and level)	silver-coloured	027351
TS 5000 L EClime door closer closing force EN 3-5, with back check (without guide rail and lever)	silver-coloured	143648
ISM guide rail BG TS 5000 continuous, with integrated closing sequence control and levers	silver-coloured	115594
ISM guide rail BG VPK TS 5000 complete package system solution for general application on full panic doors comprising 1 x TS 5000 L, 1 x TS 5000 L- IS, 1 x CB flex, 1 x ISM BG guide rail, continuous, with integrated release mechanism and levers	silver-coloured	182642
E-ISM guide rail BG TS 5000 continuous, with integrated closing sequence control, electric hold-open device on both leaves and levers	silver-coloured	115608
E-ISM guide rail BG VPK TS 5000 complete package System solution for general use on full panic doors comprising 1 x TS 5000 L, 1 x TS 5000 L-IS, 1 x CB flex, 1 x E-ISM BG guide rail with electric hold-open device on both leaves, continuous, with integrated release mechanism and levers	silver-coloured	182644
R-ISM guide rail BG TS 5000 continuous, with integrated closing sequence control, electric hold-open device on both leaves, smoke switch control unit and levers	silver-coloured	115622
R-ISM guide rail BG VPT TS 5000 continuous, with integrated closing sequence control, electric hold-open device on both leaves, smoke switch control unit and levers, especially for full panic doors. Caution: maximum X-dimension (centre of hinge – contact area of guide rail) 100 mm including mounting plate	silver-coloured	133711

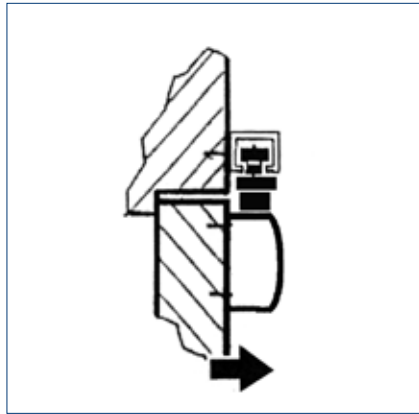
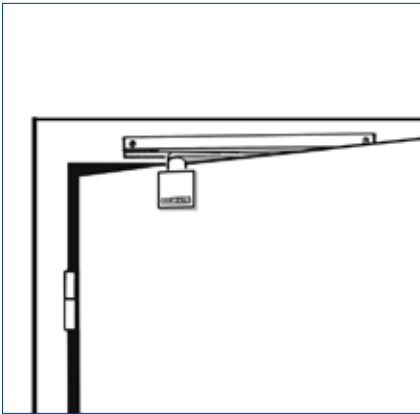
→ **Note:** See our system catalogues for further accessories and colour variants.

ORDER INFORMATION

Designation	Version	ID no.
ACCESSORIES		
Mounting plate guide rail BG for ISM- / E-ISM- / R-ISM guide rail BG & VP variants	silver-coloured	118704
Mounting plate guide rail BG for ISM/ E-ISM BG VPK guide rail	silver-coloured	139757
Mounting plate door closer for TS 5000/TS 4000 with hole pattern according to DIN EN 1154 supplementary sheet 1	silver-coloured	049185
Lintel casing bracket guide rail BG for ISM/E-ISM/R-ISM guide rail VP	silver-coloured	118706
Lintel casing bracket guide rail BG for ISM/E-ISM/R-ISM guide rail VP	silver-coloured	134816
Lintel casing bracket guide rail BG for ISM/ E-ISM BG VPK guide rail	silver-coloured	139710

DOOR LEAF INSTALLATION HINGE SIDE

T-Stop guide rail pivot bearing door leaf installation/hinge side



AREAS OF APPLICATION

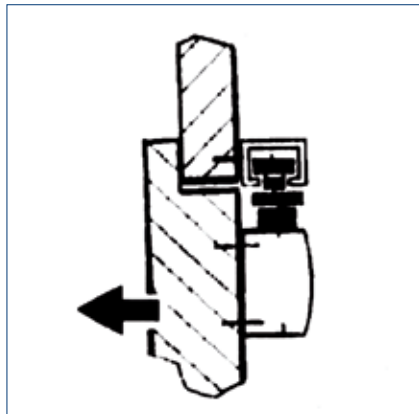
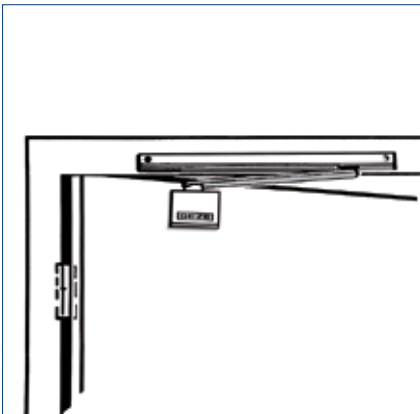
- Opening restriction for single action doors without door closer
- Can be used for right and left hand doors without conversion

ORDER INFORMATION

Designation	Version	ID no.
Pivot bearing for surface-mounted T-Stop guide rail	silver-coloured	112688
T-Stop guide rail TS 5000/TS 3000 with integrated opening restrictor and lever	silver-coloured	102363
ACCESSORIES		
Mechanical hold-open unit for standard/T-Stop/Boxer 20.7 mm guide rail, retention force adjustable, can be switched on and off, can be overridden		071924
Mounting plate guide rail for standard/Ecline/T-Stop/EFS guide rail	silver-coloured	001512

DOOR LEAF INSTALLATION OPPOSITE HINGE SIDE

T-Stop guide rail pivot bearing door leaf installation/opposite hinge side



AREAS OF APPLICATION

- Opening restriction for single action doors without door closer
- Can be used for right and left hand doors without conversion
- Installation with lintel casing bracket possible

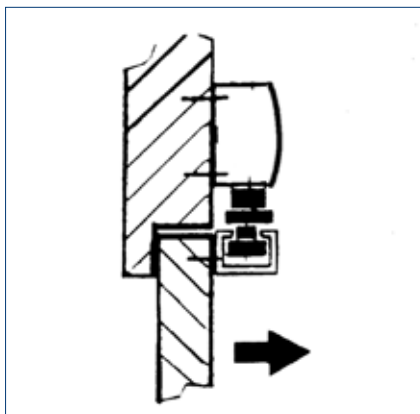
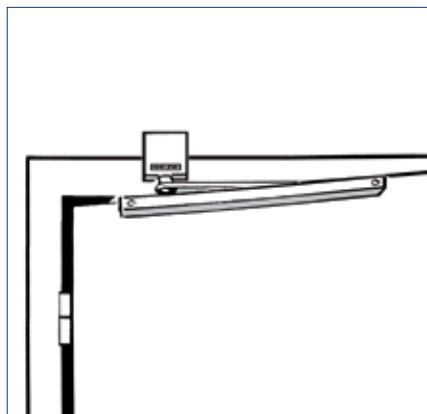
ORDER INFORMATION

Designation	Version	ID no.
Pivot bearing for surface-mounted T-Stop guide rail	silver-coloured	112688
T-Stop guide rail BG TS 5000/TS 3000 with integrated opening restrictor and lever, use with door closer on leaf installation opposite hinge side or with pivot bearing in leaf and transom installation opposite hinge side	silver-coloured	102366
ACCESSORIES		
Mechanical hold-open unit for standard/T-Stop/Boxer 20.7 mm guide rail, retention force adjustable, can be switched on and off, can be overridden		071924
Mounting plate guide rail BG for standard/Ecline/T-Stop/EFS guide rail	silver-coloured	124683
Lintel casing bracket guide rail BG for Ecline and T-Stop guide rail	silver-coloured	115006

→ **Note:** See our system catalogues for further accessories and colour variants.

TRANSOM INSTALLATION HINGE SIDE

T-Stop guide rail pivot bearing transom installation/hinge side



AREAS OF APPLICATION

- Opening restriction for single action doors without door closer
- Can be used for right and left hand doors without conversion

ORDER INFORMATION

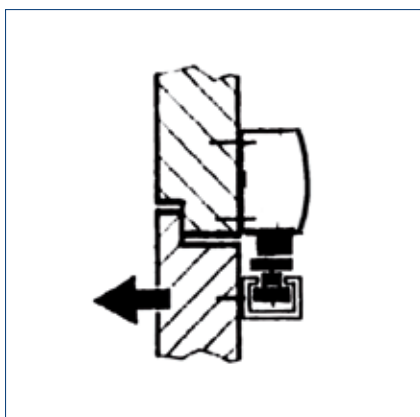
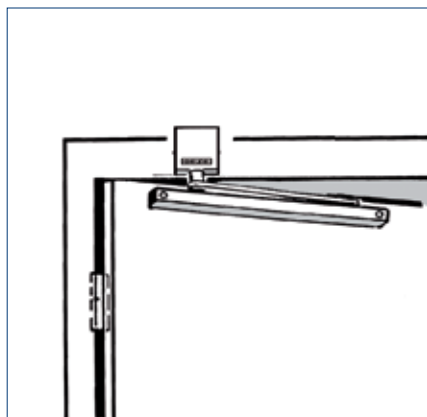
Designation	Version	ID no.
Pivot bearing for surface-mounted T-Stop guide rail	silver-coloured	112688
T-Stop guide rail TS 5000/TS 3000 with integrated opening restrictor and lever	silver-coloured	102363

ACCESSORIES

Mechanical hold-open unit for standard/T-Stop/Boxer 20.7 mm guide rail, retention force adjustable, can be switched on and off, can be overridden		071924
Mounting plate guide rail for standard/Ecline/T-Stop/EFS guide rail	silver-coloured	001512

TRANSOM INSTALLATION OPPOSITE HINGE SIDE

T-Stop guide rail pivot bearing transom installation/opposite hinge side side



AREAS OF APPLICATION

- Opening restriction for single action doors without door closer
- Can be used for right and left hand doors without conversion

ORDER INFORMATION

Designation	Version	ID no.
Pivot bearing for surface-mounted T-Stop guide rail	silver-coloured	112688
T-Stop guide rail BG TS 5000/TS 3000 with integrated opening restrictor and lever, use with door closer on leaf installation opposite hinge side or with pivot bearing in leaf and transom installation opposite hinge side	silver-coloured	102366

ACCESSORIES

Mechanical hold-open unit for standard/T-Stop/Boxer 20.7 mm guide rail, retention force adjustable, can be switched on and off, can be overridden		071924
Mounting plate guide rail BG for standard/Ecline/T-Stop/EFS guide rail	silver-coloured	124683

→ **Note:** See our system catalogues for further accessories and colour variants.



TS 5000 with T-Stop guide rail, Catholic church administration, Stuttgart, Germany (photo: Dirk Wilhelmy)



We are GEZE.

For liveable buildings

GEZE stands for innovation, high quality and comprehensive support of building technologies. From the initial idea, planning and operational implementation with standard products to customised system solutions and individual service and maintenance plans. We offer an extensive product range of door, window and safety technology products and are a major driving force behind the digital networking of building automation.

GEZE GmbH

Reinhold-Vöster-Strasse 21 – 29

71229 Leonberg

Germany

Telephone: +49 7152 203 0

Fax: +49 7152 203 310

E-Mail: info.de@geze.com

www.geze.com